

IMPORTANT:
Read Before Using

IMPORTANT :
Lire avant usage

IMPORTANTE:
Leer antes de usar

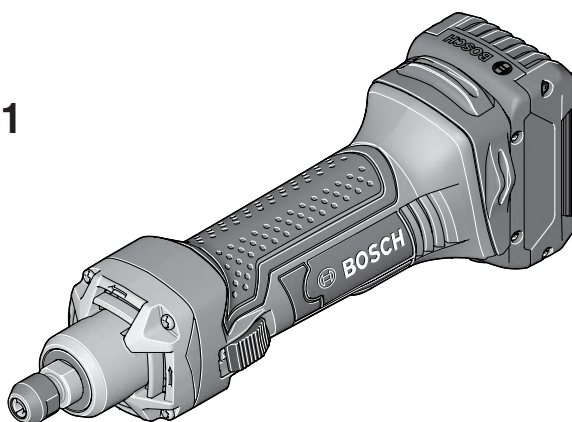


Operating/Safety Instructions

Consignes de fonctionnement/sécurité

Instrucciones de funcionamiento y seguridad

DGSH181



BOSCH

**Call Toll Free for
Consumer Information
& Service Locations**

**Pour obtenir des informations
et les adresses de nos centres
de service après-vente,
appelez ce numéro gratuit**

**Llame gratis para
obtener información
para el consumidor y
ubicaciones de servicio**

1-877-BOSCH99 (1-877-267-2499) www.boschtools.com

**For English Version
See page 2**

**Version française
Voir page 13**

**Versión en español
Ver la página 24**

General Power Tool Safety Warnings



WARNING

Read all safety warnings and all instructions. Failure to follow the warnings and instructions may result in electric shock, fire and/or serious injury.

SAVE ALL WARNINGS AND INSTRUCTIONS FOR FUTURE REFERENCE

The term “power tool” in the warnings refers to your mains-operated (corded) power tool or battery-operated (cordless) power tool.

Work area safety

Keep work area clean and well lit. Cluttered or dark areas invite accidents.

Do not operate power tools in explosive atmospheres, such as in the presence of flammable liquids, gases or dust. Power tools create sparks which may ignite the dust or fumes.

Keep children and bystanders away while operating a power tool. Distractions can cause you to lose control.

Electrical safety

Power tool plugs must match the outlet. Never modify the plug in any way. Do not use any adapter plugs with earthed (grounded) power tools. Unmodified plugs and matching outlets will reduce risk of electric shock.

Avoid body contact with earthed or grounded surfaces such as pipes, radiators, ranges and refrigerators. There is an increased risk of electric shock if your body is earthed or grounded.

Do not expose power tools to rain or wet conditions. Water entering a power tool will increase the risk of electric shock.

Do not abuse the cord. Never use the cord for carrying, pulling or unplugging the power tool. Keep cord away from heat, oil, sharp edges or moving parts. Damaged or entangled cords increase the risk of electric shock.

When operating a power tool outdoors, use an extension cord suitable for outdoor use. Use of a cord suitable for outdoor use reduces the risk of electric shock.

If operating a power tool in a damp location is unavoidable, use a Ground Fault Circuit Interrupter (GFCI) protected supply. Use of an GFCI reduces the risk of electric shock.

Personal safety

Stay alert, watch what you are doing and use common sense when operating a

power tool. Do not use a power tool while you are tired or under the influence of drugs, alcohol or medication. A moment of inattention while operating power tools may result in serious personal injury.

Use personal protective equipment. Always wear eye protection. Protective equipment such as dust mask, non-skid safety shoes, hard hat, or hearing protection used for appropriate conditions will reduce personal injuries.

Prevent unintentional starting. Ensure the switch is in the off-position before connecting to power source and / or battery pack, picking up or carrying the tool. Carrying power tools with your finger on the switch or energizing power tools that have the switch on invites accidents.

Remove any adjusting key or wrench before turning the power tool on. A wrench or a key left attached to a rotating part of the power tool may result in personal injury.

Do not overreach. Keep proper footing and balance at all times. This enables better control of the power tool in unexpected situations.

Dress properly. Do not wear loose clothing or jewelry. Keep your hair, clothing and gloves away from moving parts. Loose clothes, jewelry or long hair can be caught in moving parts.

If devices are provided for the connection of dust extraction and collection facilities, ensure these are connected and properly used. Use of dust collection can reduce dust-related hazards.

Power tool use and care

Do not force the power tool. Use the correct power tool for your application. The correct power tool will do the job better and safer at the rate for which it was designed.

Do not use the power tool if the switch does not turn it on and off. Any power tool that cannot be controlled with the switch is dangerous and must be repaired.

Disconnect the plug from the power source and/or the battery pack from the power tool before making any adjustments, changing accessories, or storing power tools. Such preventive safety measures reduce the risk of starting the power tool accidentally.

Store idle power tools out of the reach of children and do not allow persons unfamiliar with the power tool or these instructions to operate the power tool. Power tools are dangerous in the hands of untrained users.

Maintain power tools. Check for misalignment or binding of moving parts, breakage of parts and any other condition that may affect the power tool's operation. If damaged, have the power tool repaired before use. Many accidents are caused by poorly maintained power tools.

Keep cutting tools sharp and clean. Properly maintained cutting tools with sharp cutting edges are less likely to bind and are easier to control.

Use the power tool, accessories and tool bits etc. in accordance with these instructions, taking into account the working conditions and the work to be performed. Use of the power tool for operations different from those intended could result in a hazardous situation.

Battery tool use and care

Recharge only with the charger specified by the manufacturer. A charger that is suitable for one type of battery pack may create a risk of fire when used with another battery pack.

Use power tools only with specifically designated battery packs. Use of any other battery packs may create a risk of injury and fire.

When battery pack is not in use, keep it away from other metal objects like paper clips, coins, keys, nails, screws, or other small metal objects that can make a connection from one terminal to another. Shorting the battery terminals together may cause burns or a fire.

Under abusive conditions, liquid may be ejected from the battery, avoid contact. If contact accidentally occurs, flush with water. If liquid contacts eyes, additionally seek medical help. Liquid ejected from the battery may cause irritation or burns.

Service

Have your power tool serviced by a qualified repair person using only identical replacement parts. This will ensure that the safety of the power tool is maintained.

Power Tool-Specific Safety Warnings

Safety Warnings Common for Grinding Operations:

This power tool is intended to function as a grinder. Read all safety warnings, instructions, illustrations and specifications provided with this power tool. Failure to follow all instructions listed below may result in electric shock, fire and/or serious injury.

Operations such as sanding, wire brushing, polishing or cutting-off are not recommended to be performed with this power tool. Operations for which the power tool was not designed may create a hazard and cause personal injury.

Do not use accessories which are not specifically designed and recommended by the tool manufacturer. Just because the accessory can be attached to your power tool, it does not assure safe operation.

The RATED SPEED of the accessories must be at least equal to the maximum speed marked on the power tool. Accessories running faster than their RATED SPEED can break and fly apart.

The outside diameter and the thickness of your accessory must be within the capacity rating of your power tool. Incorrectly sized accessories cannot be adequately controlled.

The arbour size of wheels, sanding drums or any other accessory must properly fit the spindle or collet of the power tool. Accessories that do not match the mounting hardware of the power tool will run out of balance, vibrate excessively and may cause loss of control.

Mandrel MOUNTED WHEELS, sanding drums, cutters or other accessories must be fully inserted into the collet or chuck. If the mandrel is insufficiently held and/or the

overhang of the wheel is too long, the MOUNTED WHEEL may become loose and be ejected at high velocity.

Do not use a damaged accessory. Before each use inspect the accessory such as abrasive wheels for chips and cracks, sanding drum for cracks, tear or excess wear, wire brush for loose or cracked wires. If power tool or accessory is dropped, inspect for damage or install an undamaged accessory. After inspecting and installing an accessory, position yourself and bystanders away from the plane of the rotating accessory and run the power tool at maximum no-load speed for one minute. Damaged accessories will normally break apart during this test time.

Wear personal protective equipment. Depending on application, use face shield, safety goggles or safety glasses. As appropriate, wear dust mask, hearing protectors, gloves and workshop apron capable of stopping small abrasive or workpiece fragments. The eye protection must be capable of stopping flying debris generated by various operations. The dust mask or respirator must be capable of filtering particles generated by your operation. Prolonged exposure to high intensity noise may cause hearing loss.

Keep bystanders a safe distance away from work area. Anyone entering the work area must wear personal protective equipment. Fragments of workpiece or of a broken accessory may fly away and cause injury beyond immediate area of operation.

Hold power tool by insulated gripping surfaces only, when performing an operation where the cutting accessory may contact hidden wiring or its own cord. Cutting accessory contacting a "live" wire may make exposed metal parts of the power tool "live" and could give the operator an electric shock.

Always hold the tool firmly in your hand(s) during the start-up. The reaction torque of the motor, as it accelerates to full speed, can cause the tool to twist.

Use clamps to support workpiece whenever practical. Never hold a small workpiece in one hand and the tool in the other hand while in use. Clamping a small workpiece allows you to use your hand(s) to control the tool. Round material such as dowel rods, pipes or tubing have a tendency to roll while being

cut, and may cause the bit to bind or jump toward you.

Position the cord clear of the spinning accessory. If you lose control, the cord may be cut or snagged and your hand or arm may be pulled into the spinning accessory.

Never lay the power tool down until the accessory has come to a complete stop. The spinning accessory may grab the surface and pull the power tool out of your control.

After changing the bits or making any adjustments, make sure the collet nut, chuck or any other adjustment devices are securely tightened. Loose adjustment devices can unexpectedly shift, causing loss of control, loose rotating components will be violently thrown.

Do not run the power tool while carrying it at your side. Accidental contact with the spinning accessory could snag your clothing, pulling the accessory into your body.

Regularly clean the power tool's air vents. The motor's fan will draw the dust inside the housing and excessive accumulation of powdered metal may cause electrical hazards.

Do not operate the power tool near flammable materials. Sparks could ignite these materials.

Do not use accessories that require liquid coolants. Using water or other liquid coolants may result in electrocution or shock.

Kickback and Related Warnings

Kickback is a sudden reaction to a pinched or snagged rotating wheel, sanding band, brush or any other accessory. Pinching or snagging causes rapid stalling of the rotating accessory which in turn causes the uncontrolled power tool to be forced in the direction opposite of the accessory's rotation.

For example, if an abrasive wheel is snagged or pinched by the workpiece, the edge of the wheel that is entering into the pinch point can dig into the surface of the material causing the wheel to climb out or kick out. The wheel may either jump toward or away from the operator, depending on direction of the wheel's movement at the point of pinching. Abrasive wheels may also break under these conditions.

Kickback is the result of power tool misuse and/or incorrect operating procedures or conditions and can be avoided by taking proper precautions as given below.

Maintain a firm grip on the power tool and position your body and arm to allow you to resist kickback forces. The operator can control torque reactions or kickback forces, if proper precautions are taken.

Use special care when working corners, sharp edges etc. Avoid bouncing and snagging the accessory. Corners, sharp edges or bouncing have a tendency to snag the rotating accessory and cause loss of control or kickback.

Do not attach a toothed saw blade. Such blades create frequent kickback and loss of control.

Always feed the bit into the material in the same direction as the cutting edge is exiting from the material (which is the same direction as the chips are thrown). Feeding the tool in the wrong direction causes the cutting edge of the bit to climb out of the work and pull the tool in the direction of this feed.

Safety warnings specific for grinding and abrasive cutting-off operations:

Use only wheel types that are recommended for your power tool and only for recommended applications. For example: do not grind with the side of a cut-off wheel. Abrasive cut-off wheels are intended for peripheral grinding, side forces applied to these wheels may cause them to shatter.

For threaded abrasive cones and plugs use only undamaged wheel mandrels with an unrelieved shoulder flange that are of correct size and length. Proper mandrels will reduce the possibility of breakage.

Do not “jam” a cut-off wheel or apply excessive pressure. Do not attempt to make an excessive depth of cut. Overstressing the wheel increases the loading and susceptibility to twisting or snagging of the wheel in the cut and the possibility of kickback or wheel breakage.

Do not position your hand in line with and behind the rotating wheel. When the wheel, at the point of operation, is moving away from your hand, the possible kickback may propel the spinning wheel and the power tool directly at you.

When wheel is pinched, snagged or when interrupting a cut for any reason, switch off the power tool and hold the power tool motionless until the wheel comes to a complete stop. Never attempt to remove the cut-off wheel from the cut while the wheel is in motion otherwise kickback may occur. Investigate and take corrective action to eliminate the cause of wheel pinching or snagging.

Do not restart the cutting operation in the workpiece. Let the wheel reach full speed and carefully re-enter the cut. The wheel may bind, walk up or kickback if the power tool is restarted in the workpiece.

Support panels or any oversized workpiece to minimize the risk of wheel pinching and kickback. Large workpieces tend to sag under their own weight. Supports must be placed under the workpiece near the line of cut and near the edge of the workpiece on both sides of the wheel.

Use extra caution when making a “pocket cut” into existing walls or other blind areas. The protruding wheel may cut gas or water pipes, electrical wiring or objects that can cause kickback.

Additional Safety Warnings

GFCI and personal protection devices like electrician's rubber gloves and footwear will further enhance your personal safety.

Do not use AC only rated tools with a DC power supply. While the tool may appear to work, the electrical components of the AC rated tool are likely to fail and create a hazard to the operator.

Keep handles dry, clean and free from oil and grease. Slippery hands cannot safely control the power tool.

Develop a periodic maintenance schedule for your tool. When cleaning a tool be careful not to disassemble any portion of the tool since internal wires may be misplaced or pinched or safety guard return springs may be improperly mounted. Certain cleaning agents such as gasoline, carbon tetrachloride, ammonia, etc. may damage plastic parts.

Ensure the switch is in the off position before inserting battery pack. Inserting the battery pack into power tools that have the switch on invites accidents.




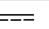








⚠ WARNING Some dust created by power sanding, sawing, grinding, drilling, and other construction activities contains chemicals known to cause cancer, birth defects or other reproductive harm. Some examples of these chemicals are:

- Lead from lead-based paints,
- Crystalline silica from bricks and cement and other masonry products, and
- Arsenic and chromium from chemically-treated lumber.

Your risk from these exposures varies, depending on how often you do this type of work. To reduce your exposure to these chemicals: work in a well ventilated area, and work with approved safety equipment, such as those dust masks that are specially designed to filter out microscopic particles.

Symbols

IMPORTANT: Some of the following symbols may be used on your tool. Please study them and learn their meaning. Proper interpretation of these symbols will allow you to operate the tool better and safer.

Symbol	Name	Designation/Explanation
V	Volts	Voltage (potential)
A	Amperes	Current
Hz	Hertz	Frequency (cycles per second)
W	Watt	Power
kg	Kilograms	Weight
min	Minutes	Time
s	Seconds	Time
∅	Diameter	Size of drill bits, grinding wheels, etc.
n_0	No load speed	Rotational speed, at no load
n	Rated speed	Maximum attainable speed
.../min	Revolutions or reciprocation per minute	Revolutions, strokes, surface speed, orbits etc. per minute
0	Off position	Zero speed, zero torque...
1, 2, 3, ... I, II, III,	Selector settings	Speed, torque or position settings. Higher number means greater speed
	Infinately variable selector with off	Speed is increasing from 0 setting
	Arrow	Action in the direction of arrow
	Alternating current	Type or a characteristic of current
	Direct current	Type or a characteristic of current
	Alternating or direct current	Type or a characteristic of current
	Class II construction	Designates Double Insulated Construction tools.
	Earthing terminal	Grounding terminal
	Warning symbol	Alerts user to warning messages
	Li-ion RBRC seal	Designates Li-ion battery recycling program
	Ni-Cad RBRC seal	Designates Ni-Cad battery recycling program
	Read manual symbol	Alerts user to read manual
	Wear eye protection symbol	Alerts user to wear eye protection

Symbols (continued)

IMPORTANT: Some of the following symbols may be used on your tool. Please study them and learn their meaning. Proper interpretation of these symbols will allow you to operate the tool better and safer.



This symbol designates that this tool is listed by Underwriters Laboratories.



This symbol designates that this component is recognized by Underwriters Laboratories.



This symbol designates that this tool is listed by Underwriters Laboratories, to United States and Canadian Standards.



This symbol designates that this tool is listed by the Canadian Standards Association.



This symbol designates that this tool is listed by the Canadian Standards Association, to United States and Canadian Standards.



This symbol designates that this tool is listed by the Intertek Testing Services, to United States and Canadian Standards.



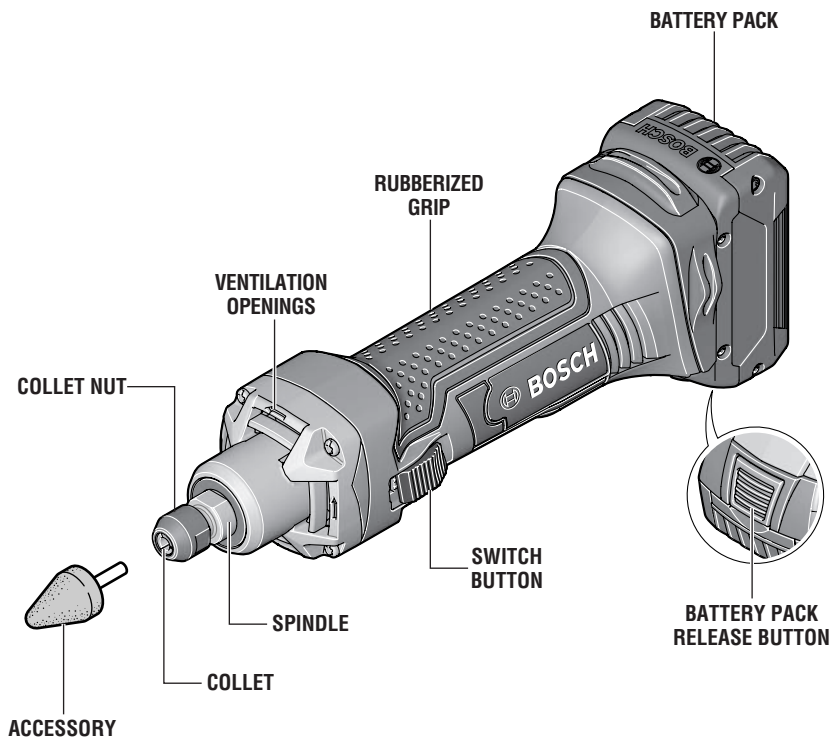
This symbol designates that this tool complies to NOM Mexican Standards.

Functional Description and Specifications

WARNING Disconnect battery pack from tool before making any assembly, adjustments or changing accessories. Such preventive safety measures reduce the risk of starting the tool accidentally.

Cordless Die Grinder

FIG. 1



Model number	DGS181	Max. accessory capacity	
Voltage rating	18 V ===	Cones and Points only	2" Dia.
Rated speed	n 22 000/min		
Collet capacity	1/4" shank		

Battery Packs/Chargers

Please refer to the Charger Manual included with your tool.

NOTE: For tool specifications refer to the nameplate on your tool.

Assembly

⚠ WARNING Disconnect battery pack from tool before making any assembly, adjustments or changing accessories. Such preventive safety measures reduce the risk of starting the tool accidentally.

SELECTING GRINDING ACCESSORIES

⚠ WARNING Before using a grinding wheel point or cone, be certain that its maximum safe operating speed is not exceeded by the nameplate speed of the grinder. Do not exceed the recommended wheel point or cone diameter of 2 inches.

INSTALLING ACCESSORIES

⚠ WARNING Be sure that the diameter of the shank is the same size as the inside diameter of the collet.

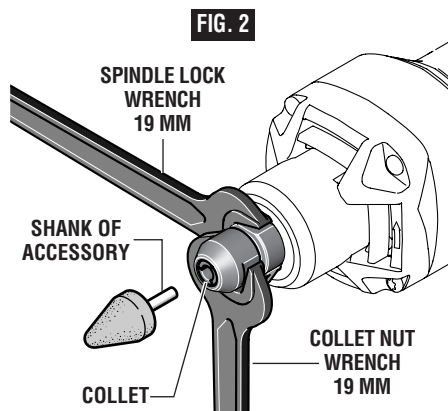
⚠ CAUTION To prevent damage to collet, avoid excessive tightening of the collet nut when there is no accessory inserted.

Only use properly fitting and undamaged open-end 19 mm wrenches.

1. Place a (19 mm) open-end wrench onto the spindle to prevent the spindle from rotating (Fig. 2).
2. Hold wrench in place and rotate collet nut counter-clockwise with another (19 mm) open-end wrench.
3. Insert three fourths of shank of accessory into the collet and securely tighten collet nut clockwise.

REMOVING ACCESSORIES

Repeat steps 1 and 2 of above and remove accessory.



Operating Instructions

PROTECTION AGAINST DEEP DISCHARGING

The lithium ion battery is protected against deep discharging by the “Electronic Cell Protection (ECP)”. When the battery is empty, the cordless grinder is switched off by means of a protective circuit.

CAUTION Do not continue to press the On/Off switch after the tool has been automatically switched off. The battery can be damaged.

WARNING Hold the tool with both hands while starting the tool, since torque from the motor can cause the tool to twist.

SLIDE ON-OFF SWITCH WITH LOCK

The tool is switched “ON” by the switch button located at the side of the motor housing. The switch can be locked in the “ON” position, a convenience for long grinding operations.

TO TURN THE TOOL “ON” without locking it, slide the switch button forward by applying pressure ONLY at the REAR portion of the button. When pressure is released the switch button will snap to “OFF” position.

TO LOCK THE SWITCH “ON”, slide the switch button forward and press “IN” the FRONT portion.

TO UNLOCK THE SWITCH, simply press and release the REAR portion of the button. Switch is spring loaded and will snap back automatically.

TOOL TIPS

Always hold the tool away from your face. Accessories can be damaged during handling, and can fly apart as they come up to speed. This is not common, but it does happen.

Start the tool before applying to work and let the tool come to full speed before contacting the workpiece. Lift the tool from the work before releasing the switch. DO NOT turn the switch “ON” and “OFF” while the tool is under load; this will greatly decrease the switch life.

Practice on scrap materials first to see how the tool performs. Keep in mind that the work is done by the speed of the tool and by the accessory in the collet. You should not lean on or push the tool during use.

Instead, lower the spinning accessory lightly to the work and allow it to touch the point at which you want grinding to begin. Concentrate on guiding the tool over the work using very little pressure from your hand. Allow the accessory to do the work.

Usually, it is best to make a series of passes with the tool rather than attempt to do all the work in one pass.

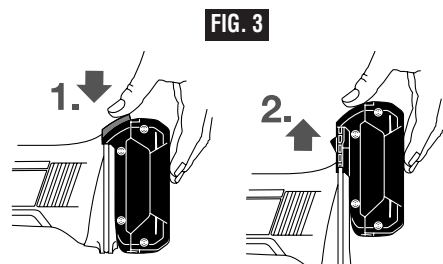
INSERTING AND RELEASING BATTERY PACK

Slide charged battery pack into the housing until the battery pack locks into position (Fig. 3).

Your tool is equipped with a secondary locking latch to prevent the battery pack from completely falling out of the handle, should it become loose due to vibration.

To remove the battery pack, press the battery pack release button and slide the battery pack forward (Fig. 3).

Press the battery pack release button again and slide the battery pack completely out of tool housing (Fig. 3).



Maintenance

Service

⚠ WARNING **NO USER SERVICEABLE PARTS INSIDE. Preventive maintenance performed by unauthorized personnel may result in misplacing of internal wires and components which could cause serious hazard.** We recommend that all tool service be performed by a Bosch Factory Service Center or Authorized Bosch Service Station. **SERVICEMEN:** Disconnect tool and/or charger from power source before servicing.

BATTERIES

Be alert for battery packs that are nearing their end of life. If you notice decreased tool performance or significantly shorter running time between charges then it is time to replace the battery pack. Failure to do so can cause the tool to operate improperly or damage the charger.

TOOL LUBRICATION

Your Bosch tool has been properly lubricated and is ready for use.

D.C. MOTORS

The motor in your tool has been engineered for many hours of dependable service. To maintain peak efficiency of the motor, we recommend it be examined every six months. Only a genuine Bosch replacement motor specially designed for your tool should be used.

Cleaning

⚠ WARNING **To avoid accidents, always disconnect the tool and/or charger from the power supply before cleaning.** The tool may be cleaned most effectively with compressed dry air. **Always wear safety goggles when cleaning tools with compressed air.**

Ventilation openings and switch levers must be kept clean and free of foreign matter. Do not attempt to clean by inserting pointed objects through opening.

⚠ CAUTION **Certain cleaning agents and solvents damage plastic parts.** Some of these are: gasoline, carbon tetrachloride, chlorinated cleaning solvents, ammonia and household detergents that contain ammonia.

Accessories

** Carry Bag

(* = standard equipment)

(** = optional accessories)

Avertissements généraux concernant la sécurité des outils électroportatifs

AVERTISSEMENT Veuillez lire tous les avertissements et toutes les consignes de sécurité. Si l'on n'observe pas ces avertissements et ces consignes de sécurité, il existe un risque de choc électrique, d'incendie et/ou de blessures corporelles graves.

CONSERVEZ TOUS LES AVERTISSEMENTS ET TOUTES LES CONSIGNES DE SÉCURITÉ POUR RÉFÉRENCE FUTURE.

Dans les avertissements, le terme « outil électroportatif » se rapporte à votre outil branché sur le secteur (avec fil) ou à votre outil alimenté par piles (sans fil).

Sécurité du lieu de travail

Maintenez le lieu de travail propre et bien éclairé. Les risques d'accident sont plus élevés quand on travaille dans un endroit encombré ou sombre.

N'utilisez pas d'outils électroportatifs dans des atmosphères explosives, comme par exemple en présence de gaz, de poussières ou de liquides inflammables. Les outils électroportatifs produisent des étincelles qui risquent d'enflammer les poussières ou les vapeurs.

Éloignez les enfants et les visiteurs quand vous vous servez d'un outil électroportatif. Vous risquez une perte de contrôle si on vous distrait.

Sécurité électrique

Les fiches des outils électroportatifs doivent correspondre à la prise. Il ne faut absolument jamais modifier la fiche. N'utilisez pas d'adaptateur de prise avec des outils électroportatifs munis d'une fiche de terre. Le risque de choc électrique est moindre si on utilise une fiche non modifiée sur une prise qui lui correspond.

Évitez tout contact du corps avec des surfaces reliées à la terre tels que tuyaux, radiateurs, gazinières ou réfrigérateurs. Le risque de choc électrique augmente si votre corps est relié à la terre.

N'exposez pas les outils électroportatifs à la pluie ou à l'humidité. Si de l'eau pénètre dans un outil électroportatif, le risque de choc électrique augmente.

Ne maltraitez pas le cordon. Ne vous en servez jamais pour transporter l'outil électroportatif, pour le tirer ou pour le débrancher. Éloignez le cordon de la chaleur, des huiles, des arêtes coupantes ou des pièces mobiles. Les cordons abîmés ou emmêlés augmentent les risques de choc électrique.

Si vous utilisez un outil électroportatif à l'extérieur, employez une rallonge conçue pour l'extérieur. Ces rallonges sont faites pour l'extérieur et réduisent le risque de choc électrique.

S'il est absolument nécessaire d'utiliser l'outil électroportatif dans un endroit humide, utilisez une alimentation protégée par un disjoncteur de fuite de terre (GFCI). L'utilisation d'un disjoncteur GFCI réduit les risques de choc électrique.

Sécurité personnelle

Restez concentré, faites attention à ce que vous faites, et servez-vous de votre bon sens lorsque vous

utilisez un outil électroportatif. N'employez pas d'outils électroportatifs quand vous êtes fatigué ou sous l'emprise de drogues, d'alcool ou de médicaments. Quand on utilise des outils électroportatifs, il suffit d'un moment d'inattention pour causer des blessures corporelles graves.

Utilisez des équipements de sécurité personnelle. Portez toujours une protection oculaire. Le port d'équipements de sécurité tels que des masques antipoussières, des chaussures de sécurité antidérapantes, des casques de chantier et des protecteurs d'oreilles dans des conditions appropriées réduira le risque de blessure corporelle.

Évitez les démarrages intempestifs. Assurez-vous que l'interrupteur est dans la position arrêt (Off) avant de brancher l'outil dans une prise de courant et/ou un bloc-piles, de le ramasser ou de le transporter. Le transport d'un outil électroportatif avec le doigt sur la gâchette ou le branchement de cet outil quand l'interrupteur est en position de marche (ON) est une invite aux accidents.

Enlevez toutes les clés de réglage avant de mettre l'outil électroportatif en marche. Si on laisse une clé sur une pièce tournante de l'outil électroportatif, il y a un risque de blessure corporelle.

Ne vous penchez pas. Conservez toujours une bonne assise et un bon équilibre. Ceci vous permettra de mieux maîtriser l'outil électroportatif dans des situations inattendues.

Habilitez-vous de manière appropriée. Ne portez pas de vêtements amples ou de bijoux. Attachez les cheveux longs. N'approchez pas les cheveux, les vêtements ou les gants des pièces en mouvement. Les vêtements amples, les bijoux ou les cheveux longs risquent d'être happés par les pièces en mouvement.

Si l'outil est muni de dispositifs permettant le raccordement d'un système d'aspiration et de collecte des poussières, assurez-vous que ces dispositifs sont raccordés et utilisés correctement. L'utilisation d'un dépoussiéreur peut réduire les dangers associés à l'accumulation de poussière.

Utilisation et entretien des outils électroportatifs

Ne forcez pas sur l'outil électroportatif. Utilisez l'outil électroportatif qui convient à la tâche à effectuer. L'outil qui convient à la tâche fait un meilleur travail et est plus sûr à la vitesse pour lequel il a été conçu.

Ne vous servez pas de l'outil électroportatif si son interrupteur ne parvient pas à le mettre en marche ou à l'arrêter. Tout outil électroportatif qui ne peut pas être commandé par son interrupteur est dangereux et doit être réparé.

Débranchez la fiche de la prise ou enlevez le bloc-pile de l'outil électroportatif avant tout réglage, changement d'accessoires ou avant de ranger l'outil électroportatif. De telles mesures de sécurité préventive réduisent le risque de démarrage intempestif de l'outil électroportatif.

Rangez les outils électroportatifs dont vous ne vous servez pas hors de portée des enfants et ne permettez pas à des personnes qui ne connaissent pas l'outil électroportatif ou qui ignorent ces consignes de s'en servir. Les outils électroportatifs sont dangereux dans les mains d'utilisateurs inexpérimentés.

Entretenez les outils électroportatifs. Vérifiez que les pièces mobiles sont alignées correctement et ne coïncident pas. Vérifiez qu'il n'y a pas de pièces cassées ou d'autre circonstance qui risquent d'affecter le fonctionnement de l'outil électroportatif. Si l'outil est abîmé, faites-le réparer avant de l'utiliser. De nombreux accidents sont causés par des outils électroportatifs mal entretenus.

Maintenez les outils coupants affûtés et propres. Les outils coupants entretenus correctement et dotés de bords tranchants affûtés sont moins susceptibles de coincer et sont plus faciles à maîtriser.

Utilisez l'outil électroportatif, les accessoires et les embouts d'outil, etc. conformément à ces instructions, en tenant compte des conditions de travail et des travaux à réaliser. L'emploi d'outils

électroportatifs pour des tâches différentes de celles pour lesquelles ils ont été prévus peut résulter en une situation dangereuse.

Utilisation et entretien des outils à piles

Rechargez les piles uniquement avec le chargeur spécifié par le fabricant. Un chargeur qui convient à un type de bloc-piles peut entraîner un risque d'incendie quand il est utilisé avec un autre bloc-piles.

Utilisez des outils électroportatifs uniquement avec les bloc-piles spécifiquement désignés pour eux. L'utilisation de tout autre bloc-piles peut créer un risque de blessures et d'incendie.

Lorsque le bloc-piles n'est pas utilisé, gardez-le à distances d'autres objets métalliques tels que des trombones, des pièces de monnaie, des clés, des clous, des vis ou de tout autre objet métallique pouvant faire une connexion entre une borne et une autre. Court-circuiter les bornes des piles peut causer des brûlures ou un incendie.

Dans des conditions abusives, du liquide peut être éjecté de la pile ; dans un tel cas, évitez tout contact avec ce liquide. Si un contact se produit accidentellement, rincez avec de l'eau. Si le liquide entre en contact avec les yeux, consultez un médecin. Du liquide éjecté de la pile peut causer des irritations ou des brûlures.

Entretien

Faites réparer votre outil électroportatif par un agent de service qualifié n'utilisant que des pièces de rechange identiques. Ceci assure que la sécurité de l'outil électroportatif est préservée.

Avertissements relatifs à la sécurité concernant spécifiquement les outils électriques

Avertissements généraux relatifs à la sécurité concernant les opérations de meulage/rectification :

Cet outil électrique est conçu pour être utilisé en tant que meuleuse. Lisez tous les avertissements relatifs à la sécurité, ainsi que toutes les instructions, illustrations et spécifications fournies avec cet outil électrique. Le non-respect de toutes les instructions figurant ci-dessous pourrait causer un choc électrique, un incendie et/ou une blessure grave.

Certaines opérations telles que le ponçage, le passage à la brosse métallique, le polissage ou le tronçonnage ne sont pas recommandées avec cet outil électrique. Les opérations pour lesquelles cet outil n'a pas été conçu pourraient être dangereuses et causer des blessures.

N'utilisez pas d'accessoires qui n'ont pas été conçus et recommandés spécifiquement par le fabricant de

cet outil. Certains accessoires sont compatibles avec votre outil électrique, mais cette compatibilité ne signifie pas que vous pourrez les utiliser en toute sécurité avec cet outil.

La VITESSE NOMINALE des accessoires doit être au moins égale à la vitesse maximum indiquée sur l'outil électrique. Des accessoires fonctionnant à une vitesse plus rapide que leur VITESSE NOMINALE risqueraient de se casser et d'être projetés violemment.

Le diamètre extérieur et l'épaisseur de votre accessoire doivent correspondre à la capacité nominale de votre outil électrique. Des accessoires de taille incorrecte ne peuvent pas être contrôlés adéquatement.

La taille de l'arbre des meules, des cylindres de contact ou de tout autre accessoire doit correspondre à celle de la broche ou de la douille de l'outil électrique. Les accessoires dont la taille ne correspond

pas exactement à celle du matériel de montage de l'outil électrique seront déséquilibrés, vibreront de façon excessive et risqueront de causer une perte de contrôle.

Les MEULES MONTÉES à mandrin, ainsi que les cylindres de contact, les outils de coupe ou autres accessoires doivent être totalement insérés dans la douille ou le mandrin. Si le mandrin n'est pas suffisamment maintenu et/ou si le porte-à-faux de la meuleuse est trop long, la MEULE MONTÉE risque de se détacher et d'être éjectée violemment.

N'utilisez pas un accessoire qui serait endommagé. Avant chaque utilisation, inspectez l'accessoire, notamment les meules abrasives, pour vous assurer qu'elles ne sont pas ébréchées ou fissurées, les cylindres de contact déchirés, pour vous assurer qu'ils ne sont pas fissurés, déchirés ou excessivement usés, et les brosses métalliques, pour vous assurer que leurs poils ne sont pas détachés ou fourchus. Si vous faites tomber l'outil électrique ou un accessoire, inspectez-le afin de vous assurer qu'il n'est pas endommagé, ou installez un accessoire qui n'est pas endommagé. Après avoir inspecté et installé un accessoire, faites-le fonctionner à la vitesse maximum à vide pendant une minute tout en veillant à vous positionner suffisamment loin de l'outil et de l'accessoire en rotation, et en vous assurant que les personnes qui vous entourent sont tenues à la même distance afin d'éviter toute projection accidentelle. S'ils sont endommagés, les accessoires se cassent normalement dans la minute qui suit leur mise en marche.

Portez des équipements de protection personnelle. En fonction de l'application, utilisez des masques de protection du visage et des lunettes de protection ou de sécurité. Selon le cas, portez un masque anti-poussière, un dispositif adapté pour protéger vos oreilles, des gants et un tablier de travail pour intercepter des projections de petits fragments d'ouvrages ou de matériaux abrasifs. Les lunettes de protection doivent être capables de bloquer les débris pouvant être projetés par diverses opérations. Le masque anti-poussière ou l'appareil respiratoire doit être approprié pour filtrer les particules produites par votre opération. Toute exposition prolongée à du bruit de haute intensité pourrait causer une perte d'acuité auditive.

Veillez à ce que les personnes qui vous entourent soient suffisamment éloignées de la zone de travail. Toute personne entrant dans la zone de travail doit porter des équipements de protection personnelle. Des fragments de l'ouvrage ou d'un accessoire cassé pourraient être projetés violemment et causer des blessures même au-delà de la zone de travail immédiate.

Ne tenez l'outil électrique que par ses surfaces de préhension isolées lorsque vous effectuez une opération au cours de laquelle l'accessoire de coupe risquerait d'entrer en contact avec des fils électriques

cachés ou avec son propre cordon d'alimentation. Tout contact d'un accessoire de coupe avec un fil sous tension pourrait rendre conductrices des parties en métal exposées de l'outil électrique et causer un choc électrique.

Tenez toujours l'outil fermement à la main (ou avec les deux mains) lors de la mise en marche. Le couple de réaction du moteur, lorsqu'il passe à la vitesse maximale, risque de causer une rotation accidentelle de l'outil.

Utilisez des brides de fixation pour soutenir l'ouvrage chaque fois que cela est possible. Ne tenez jamais un ouvrage de petites dimensions d'une main et l'outil de l'autre main lorsque ce dernier est en marche. L'assujettissement d'un ouvrage de petites dimensions vous permet d'utiliser votre main ou vos deux mains pour mieux contrôler l'outil. Des objets ronds tels que des tiges, des tuyaux ou des tubes ont tendance à rouler lorsqu'ils sont coupés, ce qui peut coincer l'embout ou le faire sauter dans votre direction.

Positionnez le cordon d'alimentation de façon à ce qu'il ne puisse pas être dans la trajectoire de rotation de l'accessoire. Si vous perdez le contrôle de l'outil, le cordon risquerait d'être coupé ou happé, et votre main ou votre bras pourrait être attiré(e) vers l'accessoire en rotation.

Ne posez jamais l'outil électrique avant que l'accessoire ne soit complètement arrêté. L'accessoire en rotation risquerait de rebondir sur la surface et d'attirer l'outil électrique, ce qui vous en ferait perdre le contrôle.

Après avoir changé d'embout ou effectué un réglage, assurez-vous que l'écrou de fixation de la douille, le mandrin et tous autres dispositifs de réglage sont sécurisés. Des dispositifs de réglage insuffisamment serrés risqueraient de bouger de façon inattendue, ce qui vous ferait perdre le contrôle de l'outil et, en conséquence, des composants en rotation non sécurisés seront projetés violemment.

Ne laissez pas l'outil électrique en marche pendant que vous le transportez. Tout contact accidentel avec un accessoire en rotation pourrait entraîner vos vêtements et propulser l'accessoire en direction de votre corps.

Nettoyez régulièrement les événements d'aération de l'outil électrique. Le ventilateur du moteur aspirera de la poussière à l'intérieur du boîtier, et une accumulation de poudre métallique risquerait de causer des dangers électriques.

Ne vous servez pas de l'outil électrique à proximité de matériaux inflammables. Des étincelles risqueraient de mettre le feu à ces matériaux.

N'utilisez pas d'accessoires nécessitant du liquide de refroidissement. L'utilisation d'eau ou d'autres liquides de refroidissement pourrait causer une électrocution ou un choc électrique.

AVERTISSEMENTS RELATIFS À L'EFFET DE REBOND ET AVERTISSEMENTS ASSOCIÉS

Un effet de rebond est une réaction soudaine au pincement ou à l'accrochage d'une meule en rotation, d'un ruban de scie, d'une brosse ou de tout autre accessoire. Un tel pincement ou accrochage peut faire caler très vite l'accessoire en rotation, ce qui risque à son tour de causer la projection incontrôlée de l'outil électrique dans le sens contraire de la rotation de l'accessoire.

Par exemple, si une meule abrasive est accrochée ou pincée par l'ouvrage, le bord de la meule qui entre dans le point de pincement risque de s'enfoncer dans la surface du matériau et de causer un rebond ou retour de la meule. Celle-ci risque alors de sauter soit vers l'opérateur, soit dans le sens opposé, selon le sens du mouvement de la meule au point de pincement. Les meules abrasives risquent également de se casser dans de telles conditions.

Un effet de rebond est la conséquence d'une utilisation inappropriée d'un outil électrique et/ou de conditions ou de procédures d'exploitation incorrectes. Il peut être évité en prenant les précautions appropriées indiquées ci-dessous.

Tenez toujours fermement votre outil électrique et positionnez votre corps et vos bras de manière à vous permettre de résister à la force des effets de rebond possibles. L'opérateur peut contrôler les réactions de couple ou la force d'un effet de rebond s'il prend les précautions appropriées.

Faites particulièrement attention lorsque vous travaillez dans des coins, le long d'arêtes vives, etc. Évitez de heurter l'accessoire ou de le laisser s'accrocher. Les coins, les arêtes vives et les heurts ont tendance à causer l'accrochage d'un accessoire en rotation et à entraîner une perte de contrôle ou un effet de rebond.

N'attachez pas une lame de scie dentelée. De telles lames créent fréquemment des effets de rebond et la perte de contrôle de l'outil.

Faites toujours pénétrer l'embout dans le matériau dans le même sens que celui dans lequel le bord coupant en sortira (il s'agit de la même direction que celle dans laquelle les copeaux sont projetés). L'utilisation de l'outil dans le mauvais sens fera sortir le bord coupant de l'embout de l'ouvrage et attirera l'outil dans le sens de la pénétration.

Avertissements relatifs à la sécurité en liaison avec les opérations de meulage/rectification et de tronçonnage abrasif

N'utilisez que des types de meules qui sont recommandés pour votre outil électrique, et seulement pour les applications recommandées. Par exemple : ne meulez pas avec le côté d'une meule de tronçonnage. Les meules de tronçonnage abrasives

sont conçues pour le meulage périphérique, et les forces latérales exercées sur ces meules pourraient les faire éclater.

Pour les bouchons et les cônes abrasifs filetés, utilisez seulement des mandrins de meules en parfait état, avec une bride de fixation d'épaulement ferme de la taille et de la longueur correctes. L'utilisation des mandrins appropriés réduira le risque de casse.

Ne « coincez » pas une meule de tronçonnage et n'appliquez pas une pression excessive. Ne tentez pas de réaliser une coupe de profondeur excessive. L'application d'une pression excessive sur la meule augmente la charge et le risque de torsion ou d'accrochage de la meule dans la zone coupée, ainsi que le risque d'effet de rebond ou de bris de la meule.

Ne positionnez pas votre main de telle sorte qu'elle soit derrière la meule en rotation et alignée sur celle-ci. Lorsque la meule, au point d'opération, s'éloigne de votre main, l'effet de rebond possible pourrait projeter la meule en rotation et l'outil directement vers vous.

Lorsque la meule est pincée ou accrochée, ou quand vous interrompez une opération de coupe pour quelque raison que ce soit, mettez l'outil électrique hors tension et tenez-le immobile jusqu'à ce que la meule cesse complètement de tourner. Ne tentez jamais d'extraire la meule de tronçonnage de la zone coupée pendant que la meule est en mouvement, car cela pourrait provoquer un effet de rebond. Inspectez l'ouvrage afin de déterminer la cause du problème et prenez les mesures nécessaires pour éliminer la raison pour laquelle la meule se pince ou s'accroche.

Ne recommencez pas à couper alors que la meule est toujours dans la zone coupée. Attendez que la meule atteigne sa vitesse maximum, puis faites entrer délicatement la meule dans la zone coupée à nouveau. La meule risquerait de se coincer ou de bouger dans un sens imprévu, ou de causer un effet de rebond si vous remettiez l'outil électrique en marche alors qu'elle se trouve toujours dans l'ouvrage.

Supportez les panneaux et tous les ouvrages de grandes dimensions afin de réduire au minimum les risques de pincement de la meule et d'effet de retour. Les ouvrages de grandes dimensions ont tendance à s'affaisser en raison de leur propre poids. Les supports doivent être placés sous l'ouvrage, à proximité de la ligne de coupe et près du bord de l'ouvrage des deux côtés de la meule.

Faites particulièrement attention lorsque vous effectuez une coupe dans une cavité existante d'un mur ou à d'autres endroits sans visibilité. La meule saillante risquerait de couper une canalisation d'eau ou une conduite de gaz, un fil électrique ou un objet qui pourrait causer un effet de rebond.

Avertissements supplémentaires concernant la sécurité

L'emploi d'un GFCI et de dispositifs de protection personnelle tels que gants et chaussures d'électricien en caoutchouc améliorent votre sécurité personnelle.

N'utilisez pas un outil conçu uniquement pour le C.A. sur une alimentation en C.C. Même si l'outil semble fonctionner, les composants électriques d'un outil prévu pour le C.A. tomberont probablement en panne et risquent de créer un danger pour l'utilisateur.

Maintenez les poignées sèches et exemptes d'huile et de graisse. On ne peut pas maîtriser un outil électroportatif en toute sécurité quand on a les mains glissantes.

Créez un agenda d'entretien périodique pour votre outil. Quand vous nettoyez un outil, faites attention de n'en démonter aucune pièce car il est toujours possible de mal remonter ou de pincer les fils internes ou de remonter incorrectement les ressorts de rappel des capots de protection. Certains agents de nettoyage tels que l'essence, le tétrachlorure de carbone, l'ammoniaque, etc. risquent d'abîmer les plastiques.

Veillez à ce que l'interrupteur soit dans la position de fermeture avant d'insérer le bloc-piles. L'insertion d'un bloc-piles dans un outil électroportatif dont l'interrupteur est dans la position de marche est une invite aux accidents.




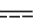








⚠ AVERTISSEMENT Les travaux à la machine tel que ponçage, sciage, meulage, perçage et autres travaux du bâtiment peuvent créer des poussières contenant des produits chimiques qui sont des causes reconnues de cancer, de malformation congénitale ou d'autres problèmes reproductifs. Ces produits chimiques sont, par exemple :

- Le plomb provenant des peintures à base de plomb,
- Les cristaux de silices provenant des briques et du ciment et d'autres produits de maçonnerie, et
- L'arsenic et le chrome provenant des bois traités chimiquement.

Le niveau de risque dû à cette exposition varie avec la fréquence de ces types de travaux. Pour réduire l'exposition à ces produits chimiques, il faut travailler dans un lieu bien ventilé et porter un équipement de sécurité approprié tel que certains masques à poussière conçus spécialement pour filtrer les particules microscopiques.

Symboles

IMPORTANT : Certains des symboles suivants peuvent être utilisés sur votre outil. Veuillez les étudier et apprendre leur signification. Une interprétation appropriée de ces symboles vous permettra d'utiliser l'outil de façon plus efficace et plus sûre.

Symbole	Nom	Désignation/Explication
V	Volts	Tension (potentielle)
A	Ampères	Courant
Hz	Hertz	Fréquence (cycles par seconde)
W	Watt	Puissance
kg	Kilogrammes	Poids
min	Minutes	Temps
s	Secondes	Temps
∅	Diamètre	Taille des mèches de perceuse, meules, etc.
n_0	Vitesse à vide	Vitesse de rotation, à vide
n	Vitesse nominale	Vitesse maximum pouvant être atteinte
.../min	Tours ou mouvement alternatif par minute	Tours, coups, vitesse en surface, orbites, etc., par minute
0	Position d'arrêt	Vitesse zéro, couple zéro ...
1, 2, 3, ... I, II, III, ...	Réglages du sélecteur	Réglages de vitesse, de couple ou de position. Un nombre plus élevé signifie une vitesse plus grande
	Sélecteur variable à l'infini avec arrêt	La vitesse augmente depuis le réglage 0
	Flèche	Action dans la direction de la flèche
	Courant alternatif	Type ou caractéristique du courant
	Courant continu	Type ou caractéristique du courant
	Courant alternatif ou continu	Type ou caractéristique du courant
	Construction classe II	Désigne des outils construits avec double isolation
	Borne de terre	Borne de mise à la terre
	Symbole d'avertissement	Alerte l'utilisateur aux messages d'avertissement.
	Sceau Li-ion RBRC	Désigne le programme de recyclage des piles Li-ion.
	Sceau Ni-Cad RBRC	Désigne le programme de recyclage des piles Ni-Cad.
	Symbole de lecture du mode d'emploi	Alerte l'utilisateur pour lire le mode d'emploi
	Symbole de port de lunettes de sécurité	Alerte l'utilisateur pour porter des lunettes de sécurité

Symboles (suite)

IMPORTANT : Certains des symboles suivants peuvent être utilisés sur votre outil. Veuillez les étudier et apprendre leur signification. Une interprétation appropriée de ces symboles vous permettra d'utiliser l'outil de façon plus efficace et plus sûre.



Ce symbole signifie que cet outil est approuvé par Underwriters Laboratories.



Ce symbole indique que ce composant est reconnu par Underwriters Laboratories.



Ce symbole signifie que cet outil est approuvé par Underwriters Laboratories selon les normes des États-Unis et du Canada.



Ce symbole signifie que cet outil est approuvé par l'Association canadienne de normalisation.



Ce symbole signifie que cet outil est approuvé par l'Association canadienne de normalisation selon les normes des États-Unis et du Canada.



Ce symbole signifie que cet outil est approuvé par Intertek Testing Services selon les normes des États-Unis et du Canada.



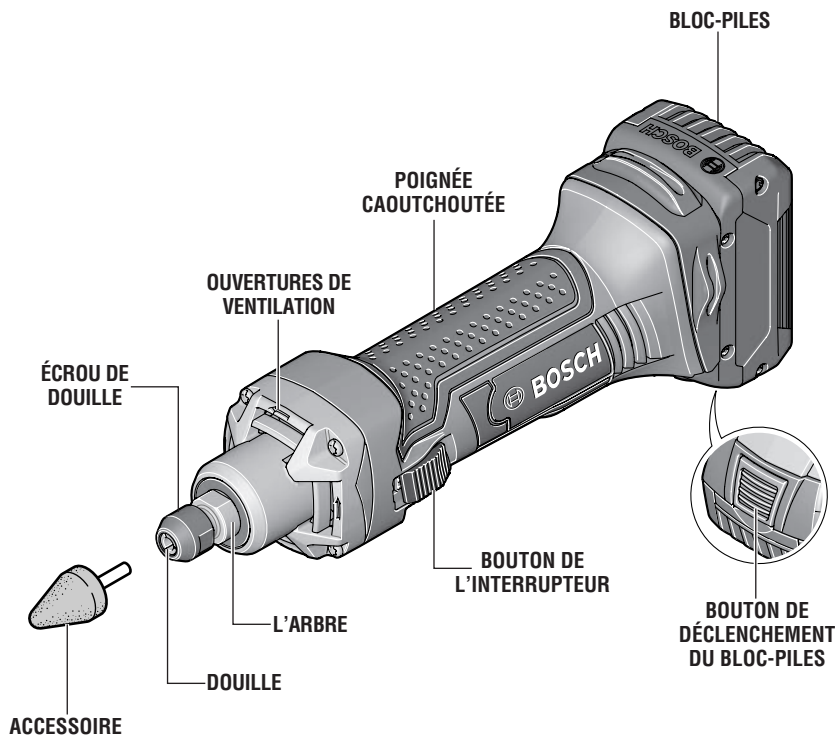
Ce symbole signifie que cet outil se conforme aux normes mexicaines NOM.

Description fonctionnelle et spécifications

AVERTISSEMENT Débranchez le bloc-piles de l'outil avant d'effectuer tout assemblage ou réglage, ou de changer des accessoires. Ces mesures de sécurité préventives réduisent le risque d'une mise en marche accidentelle de l'outil.

Rectifieuses de matrices sans cordon

FIG. 1



Numéro de modèle DGSH181
Tension nominale 18 V ===
Vitesse nominale n 22 000/min
Capacité de la douille queue 1/4 po

Capacité maximum des accessoires
 Cônes et pointes seulement 2 po de diam.

Bloc-piles/chargeurs

Veillez vous reporter au mode d'emploi de votre pile / chargeur qui accompagne votre outil.

REMARQUE : Pour spécifications de l'outil, reportez-vous à la plaque signalétique de votre outil.

Assemblage

⚠ AVERTISSEMENT Débranchez le bloc-piles de l'outil avant d'effectuer tout assemblage ou réglage, ou de changer des accessoires. Ces mesures de sécurité préventives réduisent le risque d'une mise en marche accidentelle de l'outil.

CHOIX DES ACCESSOIRES DE MEULAGE

⚠ AVERTISSEMENT Avant d'utiliser une pointe ou un cône de meule, assurez-vous que sa vitesse maximale de rotation sans compromettre la sécurité n'est pas inférieure à la vitesse indiquée sur la plaque signalétique de la meule. Ne dépassez pas le diamètre recommandé pour le cône ou la pointe de la meule, soit 2 pouces.

POSE DES ACCESSOIRES

⚠ AVERTISSEMENT Assurez-vous que le diamètre de la tige est identique au diamètre intérieur de la douille.

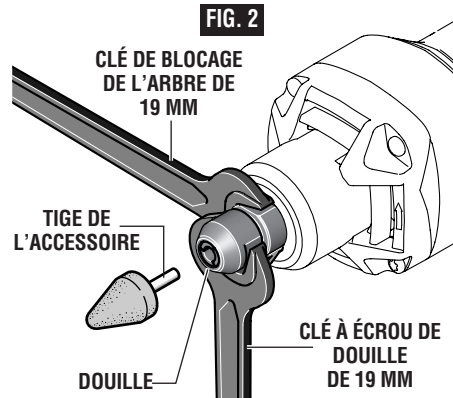
⚠ MISE EN GARDE Pour ne pas risquer d'endommager la douille, évitez de serre excessivement l'écrou de la douille quand aucun accessoire n'est inséré.

Utilisez exclusivement des clés ouvertes en bon état de 19 mm qui soient correctement ajustées.

1. Placez une clé ouverte (de 19 mm) sur l'arbre pour empêcher l'arbre de tourner (Fig. 2).
2. Tout en maintenant la clé en place, faites tourner l'écrou de la douille dans le sens contraire des aiguilles d'une montre en utilisant une autre clé ouverte (de 19 mm).
3. Insérez les trois-quarts de la tige de l'accessoire à l'intérieur de la douille et serrez à fond l'écrou de la douille dans le sens des aiguilles d'une montre.

DÉPOSE DES ACCESSOIRES

Répétez les étapes 1 et 2 ci-dessus pour déposer l'accessoire.



Consignes de fonctionnement

PROTECTION CONTRE LES DÉCHARGES PROFONDES

La pile lithium-ion est protégée contre les décharges profondes par un système ECP (Electronic Cell Protection). Lorsque la pile est vide, l'outil est mis automatiquement hors service au moyen d'un circuit de protection.

MISE EN GARDE Ne continuez pas à appuyer sur l'interrupteur Marche/Arrêt si l'outil a été mise hors service automatiquement. La pile pourrait être endommagée.

AVERTISSEMENT Tenez l'outil à deux mains à la mise en marche car le couple du moteur peut transmettre une certaine torsion.

INTERRUPTEUR A COULISSE AVEC BLOCAGE EN MARCHÉ

L'outil se met en marche à l'aide du bouton d'interrupteur situé sur le côté du carter du moteur. L'interrupteur peut être bloqué en position de marche, fonction commode pour les longues opérations de rectification.

Pour mettre l'outil en marche sans le verrouiller, glissez l'interrupteur vers l'avant en appuyant SEULEMENT sur la partie ARRIÈRE du bouton. Au relâchement, le bouton retournera à la position d'arrêt.

POUR BLOQUER L'INTERRUPTEUR EN MARCHÉ, glissez l'interrupteur vers l'avant et appuyez sur la partie AVANT du bouton.

POUR DÉBLOQUER L'INTERRUPTEUR, appuyez simplement sur la partie ARRIÈRE du bouton et relâchez-le aussitôt. Étant donné que l'interrupteur est à ressort, il reviendra automatiquement.

CONSEILS PRATIQUES

Tenez toujours l'outil éloigné de votre visage. Certains accessoires peuvent avoir été endommagés durant la manutention et peuvent alors se séparer en morceaux lorsqu'ils atteignent une certaine vitesse.

Mettez l'outil en marche avant de le poser sur la pièce. De même, soulevez-le avant d'en relâcher l'interrupteur. Pour prolonger la durée de l'interrupteur, évitez de le mettre sous tension et hors tension pendant que l'outil est à l'oeuvre.

Pratiquez d'abord sur des matériaux de rebut pour voir comment fonctionne l'action à haute vitesse de l'outil rotatif. N'oubliez pas que le travail est accompli par la vitesse de l'outil et par l'accessoire monté dans la douille. Vous ne devez pas appuyer sur l'outil ni pousser celui-ci pendant l'usage.

Abaissez plutôt l'accessoire en rotation, légèrement vers la pièce, en le laissant toucher l'endroit où vous voulez commencer la coupe (ou le ponçage ou la gravure, etc.). Ayez vos efforts sur le guidage de l'outil sur la pièce, en n'exerçant qu'une très faible pression de votre main. Laissez l'accessoire faire le travail.

Il est habituellement préférable de passer l'outil plusieurs fois plutôt que de tenter de faire tout le travail d'une seule fois. Ainsi, pour pratiquer une coupe, passez l'outil allant-venant sur la pièce, tout comme vous le feriez avec un petit pinceau. Coupez un peu de matériau à chaque passage jusqu'à ce que vous atteigniez la profondeur désirée. L'approche douce et adroite est celle qui convient le mieux à la plupart des tâches. Vous exercez ainsi un meilleur contrôle, êtes moins susceptible de commettre des erreurs, et obtenez le meilleur rendement de l'accessoire.

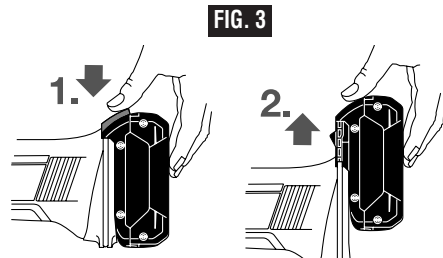
INSERTION ET RETRAIT DU BLOC-PILES

Faites glisser le bloc-piles chargé dans le bâti jusqu'à ce que le bloc-piles se bloque en position (Fig. 3).

Votre outil est muni d'un loquet de verrouillage secondaire qui empêche le bloc-piles de se séparer complètement de la poignée et de tomber au cas où il viendrait à se décrocher à cause des vibrations.

Pour retirer le bloc-piles, appuyez sur le bouton de déclenchement du bloc-piles et faites glisser le bloc-piles vers l'avant (Fig. 3).

Appuyez une fois de plus sur le bouton de déclenchement du bloc-piles et faites glisser le bloc-piles jusqu'à ce qu'il sorte complètement du bâti de l'outil (Fig. 3).



Entretien

Service

AVERTISSEMENT IL N'EXISTE À L'INTÉRIEUR AUCUNE PIÈCE SUSCEPTIBLE D'ÊTRE ENTRETENUE PAR L'UTILISATEUR. L'entretien préventif exécuté par des personnes non autorisés peut entraîner un positionnement erroné des composants et des fils internes, ce qui peut présenter de graves dangers.

Nous recommandons de confier toute intervention d'entretien sur l'outil à un centre de service-usine Bosch ou à un centre de service après-vente Bosch agréé. **TECHNICIENS** : Débranchez l'outil et/ou le chargeur de la source de courant avant d'entretenir.

PILES

Faire attention aux blocs-piles qui approchent la fin de leur vie. Si vous remarquez une diminution dans les performances de votre outil ou une durée de fonctionnement réduite de manière significative entre charges, il est temps de remplacer le bloc-piles. S'il n'est pas remplacé, il se peut qu'il endommage le chargeur ou que l'outil fonctionne incorrectement.

GRAISSAGE DE L'OUTIL

Votre outil Bosch a été graissé de manière appropriée et il est prêt à l'usage.

MOTEURS C.C.

Le moteur de votre outil a été conçu pour de nombreuses heures d'utilisation fiable. Pour maintenir l'efficacité maximale du moteur, nous recommandons de l'examiner tous les six mois. Seul un moteur de remplacement Bosch authentique, conçu spécialement pour votre outil, doit être utilisé.

Nettoyage

AVERTISSEMENT Pour éviter les accidents, débranchez toujours l'outil et/ou le chargeur de la source de courant avant de nettoyer. La façon la plus efficace de nettoyer l'outil est à l'aide d'air sec comprimé. **Portez toujours des lunettes de sécurité en nettoyant les outils à l'air comprimé.**

Les prises d'air et les leviers de commutation doivent être gardés propres et exempts de corps étrangers. Ne tentez pas de nettoyer en insérant des objets pointus à travers l'ouverture.

MISE EN GARDE Certains agents de nettoyages et certains dissolvants abîment les pièces en plastique. Parmi ceux-ci se trouvent: l'essence, le tétrachlorure de carbone, les dissolvants de nettoyage chlorés, l'ammoniaque ainsi que les détergents domestiques qui en contiennent.

Accessoires

** Portez le sac

(* = équipement standard)

(** = accessoire en option)

Advertencias generales de seguridad para herramientas mecánicas



ADVERTENCIA

Lea todas las advertencias de seguridad y todas las instrucciones. Si no se siguen las advertencias e instrucciones, el resultado podría ser sacudidas eléctricas, incendio y/o lesiones graves.

GUARDE TODAS LAS ADVERTENCIAS E INSTRUCCIONES PARA REFERENCIA FUTURA

La expresión "herramienta mecánica" en las advertencias se refiere a su herramienta mecánica alimentada por la red eléctrica (herramienta alámbrica) o su herramienta mecánica alimentada por baterías (herramienta inalámbrica).

Seguridad del área de trabajo

Mantenga el área de trabajo limpia y bien iluminada. Las áreas desordenadas u oscuras invitan a que se produzcan accidentes.

No utilice herramientas mecánicas en atmósferas explosivas, como por ejemplo en presencia de líquidos, gases o polvos inflamables. Las herramientas mecánicas generan chispas que pueden incendiar el polvo o los vapores.

Mantenga alejados a los niños y a las personas que estén presentes mientras esté utilizando una herramienta mecánica. Las distracciones pueden hacerle perder el control de la herramienta.

Seguridad eléctrica

Los enchufes de las herramientas mecánicas deben coincidir con el tomacorriente. No modifique nunca el enchufe de ningún modo. No use enchufes adaptadores con herramientas mecánicas conectadas a tierra (puestas a tierra). Los enchufes no modificados y los tomacorrientes coincidentes reducirán el riesgo de sacudidas eléctricas.

Evite el contacto del cuerpo con las superficies conectadas o puestas a tierra, tales como tuberías, radiadores, estufas y refrigeradores. Hay un aumento del riesgo de sacudidas eléctricas si el cuerpo del operador se conecta o pone a tierra.

No exponga las herramientas mecánicas a la lluvia o a condiciones mojadas. La entrada de agua en una herramienta mecánica aumentará el riesgo de que se produzcan sacudidas eléctricas.

No maltrate el cordón de energía. No use nunca el cordón para transportar la herramienta mecánica, tirar de ella o desenchufarla. Mantenga el cordón alejado del calor, el aceite, los bordes afilados o las piezas móviles. Los cordones dañados o enganchados aumentan el riesgo de que se produzcan sacudidas eléctricas.

Cuando utilice una herramienta mecánica en el exterior, use un cordón de extensión adecuado para uso a la intemperie. La utilización de un cordón adecuado para uso a la intemperie reduce el riesgo de que se produzcan sacudidas eléctricas.

Si es inevitable utilizar una herramienta mecánica en un lugar húmedo, utilice una fuente de energía protegida por un interruptor de circuito accionado por corriente de pérdida a tierra (GFCI). El uso de un GFCI reduce el riesgo de sacudidas eléctricas.

Seguridad personal

Manténgase alerta, fíjese en lo que está haciendo y use el sentido común cuando esté utilizando una herramienta mecánica. No use una herramienta mecánica cuando esté cansado o bajo la influencia de drogas, alcohol o medicamentos. Un momento de distracción mientras esté utilizando herramientas mecánicas podría causar lesiones corporales graves.

Use equipo de protección personal. Use siempre protección de los ojos. El equipo de protección, como por ejemplo una máscara antipolvo, calzado de seguridad antideslizante, casco o protección de oídos, utilizado para las condiciones apropiadas, reducirá las lesiones corporales.

Evite el arranque accidental. Asegúrese de que el interruptor esté en la posición de apagado antes de conectar la herramienta a la fuente de energía y / o al paquete de batería, levantar la herramienta o transportarla. Transportar herramientas mecánicas con un dedo en el interruptor o encender herramientas mecánicas que tengan el interruptor en la posición de encendido invita a que se produzcan accidentes.

Quite todas las llaves de ajuste o de tuerca antes de encender la herramienta mecánica. Una llave de tuerca o de ajuste que se deje colocada en una pieza giratoria de la herramienta mecánica podría causar lesiones corporales.

No intente alcanzar demasiado lejos. Mantenga un apoyo de los pies y un equilibrio apropiados en todo momento. Esto permite controlar mejor la herramienta mecánica en situaciones inesperadas.

Vístase adecuadamente. No use ropa holgada ni alhajas holgadas. Mantenga el pelo, la ropa y los guantes alejados de las piezas móviles. La ropa holgada, las alhajas holgadas o el pelo largo pueden quedar atrapados en las piezas móviles.

Si se proporcionan dispositivos para la conexión de instalaciones de extracción y recolección de polvo, asegúrese de que dichas instalaciones estén conectadas y se usen correctamente. El uso de dispositivos de recolección de polvo puede reducir los peligros relacionados con el polvo.

Uso y cuidado de las herramientas mecánicas

No fuerce la herramienta mecánica. Use la herramienta mecánica correcta para la aplicación que desee realizar. La herramienta mecánica correcta hará el trabajo mejor y con más seguridad a la capacidad nominal para la que fue diseñada.

No use la herramienta mecánica si el interruptor no la enciende y apaga. Toda herramienta mecánica que no se pueda controlar con el interruptor es peligrosa y debe ser reparada.

Desconecte el enchufe de la fuente de energía y/o el paquete de batería de la herramienta mecánica antes de hacer cualquier ajuste, cambiar accesorios o almacenar herramientas mecánicas. Dichas medidas preventivas de seguridad reducen el riesgo de arrancar accidentalmente la herramienta mecánica.

Guarde las herramientas que no esté usando fuera del alcance de los niños y no deje que personas que no estén familiarizadas con la herramienta mecánica o con estas instrucciones utilicen la herramienta. Las herramientas mecánicas son peligrosas en manos de usuarios que no hayan recibido capacitación.

Mantenga las herramientas mecánicas. Compruebe si hay piezas móviles desalineadas o que se atorán, si hay piezas rotas y si existe cualquier otra situación que podría afectar el funcionamiento de la herramienta mecánica. Si la herramienta mecánica está dañada, haga que la reparen antes de usarla. Muchos accidentes son causados por herramientas mecánicas mantenidas deficientemente.

Mantenga las herramientas de corte afiladas y limpias. Es menos probable que las herramientas de corte mantenidas apropiadamente, con bordes de corte afilados, se atoren, y dichas herramientas son más fáciles de controlar.

Utilice la herramienta mecánica, los accesorios, las brocas de la herramienta, etc., de acuerdo con estas instrucciones, teniendo en cuenta las condiciones de trabajo y el trabajo que se vaya a realizar. El uso de la herramienta mecánica para operaciones distintas a aquéllas para las que fue diseñada podría causar una situación peligrosa.

Uso y cuidado de las herramientas alimentadas por baterías

Recargue las baterías solamente con el cargador especificado por el fabricante. Un cargador que es adecuado para un tipo de paquete de batería puede crear un riesgo de incendio cuando se utiliza con otro paquete de batería.

Utilice las herramientas mecánicas solamente con paquetes de batería designados específicamente. El uso de cualquier otro paquete de batería puede crear un riesgo de lesiones e incendio.

Cuando el paquete de batería no se esté usando, manténgalo alejado de otros objetos metálicos, tales como sujetapapeles, monedas, llaves, clavos, tornillos u otros objetos metálicos pequeños que pueden hacer una conexión de un terminal a otro. Si se cortocircuitan los terminales de la batería uno con otro, se pueden causar quemaduras o un incendio.

En condiciones abusivas, es posible que se eyecte líquido de la batería. Evite el contacto. Si se produce un contacto accidental, enjuáguese con agua. Si el líquido entra en contacto con los ojos, obtenga además ayuda médica. El líquido que salga eyectado de la batería puede causar irritación o quemaduras.

Servicio de ajustes y reparaciones

Haga que su herramienta mecánica reciba servicio de un técnico de reparaciones calificado, utilizando únicamente piezas de repuesto idénticas. Esto asegurará que se mantenga la seguridad de la herramienta mecánica.

Advertencias de seguridad específicas para herramientas eléctricas

Advertencias de seguridad comunes para las operaciones de amolado:

Esta herramienta eléctrica está diseñada para funcionar como una amoladora. Lea todas las advertencias de seguridad, instrucciones, ilustraciones y especificaciones suministradas con esta herramienta eléctrica. Si no se siguen todas las instrucciones que se indican a continuación, el resultado podría ser descargas eléctricas, incendio y/o lesiones graves.

No se recomienda realizar operaciones tales como lijar, cepillar con cepillo de alambre, pulir o tronzar con esta herramienta eléctrica. Las operaciones para las cuales no se diseñó la herramienta eléctrica podrían crear un peligro y causar lesiones corporales.

No utilice accesorios que no estén diseñados y recomendados específicamente por el fabricante de

la herramienta. Sólo porque el accesorio se pueda acoplar a su herramienta eléctrica, eso no garantiza un funcionamiento seguro.

La VELOCIDAD NOMINAL de los accesorios debe ser por lo menos igual a la velocidad máxima marcada en la herramienta eléctrica. Los accesorios que funcionen más rápidamente que su VELOCIDAD NOMINAL se pueden romper y salir volando.

El diámetro exterior y el grosor de su accesorio deben estar dentro de la capacidad nominal de su herramienta eléctrica. Los accesorios de tamaño incorrecto no se pueden controlar adecuadamente.

El tamaño del eje portaherramienta de las ruedas, los tambores de lijar o cualquier otro accesorio debe encajar apropiadamente en el husillo o el portaherramienta de la herramienta eléctrica. Los accesorios que no coincidan con los herrajes de

montaje de la herramienta eléctrica funcionarán desequilibrados, vibrarán excesivamente y podrán causar pérdida de control.

Las RUEDAS MONTADAS en mandrín, los tambores de lijar, los cortadores u otros accesorios se deben insertar completamente en el portaherramienta o el mandril. Si el mandrín no está suficientemente sujeto y/o el saliente de la rueda es demasiado largo, la RUEDA MONTADA se podría aflojar y ser eyectada a alta velocidad.

No utilice un accesorio que esté dañado. Antes de cada uso, inspeccione el accesorio, como por ejemplo las ruedas abrasivas para comprobar si tienen picaduras y grietas, el tambor de lijar para revisar si tiene grietas, desgarraduras o desgaste excesivo, y el cepillo de alambre para comprobar si hay alambres flojos o agrietados. Si la herramienta eléctrica o el accesorio se cae, realice una inspección para comprobar si se ha dañado o instale un accesorio que no esté dañado. Después de inspeccionar e instalar un accesorio, posicione usted y posicione a las personas que estén presentes alejados del plano del accesorio que rota y haga funcionar la herramienta eléctrica a la máxima velocidad sin carga durante un minuto. Normalmente, los accesorios dañados se romperán en pedazos durante este tiempo de prueba.

Use equipo de protección personal. Dependiendo de la aplicación, use una careta, anteojos de seguridad o gafas de seguridad. Según sea apropiado, use una máscara antipolvo, protectores de la audición, guantes y un delantal de taller capaz de detener pequeños fragmentos de abrasivo o de la pieza de trabajo. La protección de los ojos debe ser capaz de detener los residuos que salgan despedidos al ser generados por diversas operaciones. La máscara antipolvo o el respirador debe ser capaz de impedir mediante filtración el paso de las partículas generadas por la operación que usted vaya a realizar. La exposición prolongada a ruido de alta intensidad podría causar pérdida de audición.

Mantenga a las personas que estén presentes a una distancia segura del área de trabajo. Toda persona que entre al área de trabajo debe usar equipo de protección personal. Los fragmentos de la pieza de trabajo o de un accesorio roto pueden salir despedidos y causar lesiones más allá del área de operación inmediata.

Agarre la herramienta eléctrica solamente por las superficies de agarre con aislamiento cuando realice una operación en la que el accesorio de corte pueda entrar en contacto con cables ocultos o con su propio cable de alimentación. Si el accesorio de corte entra en contacto con un cable con corriente, eso puede hacer que las partes metálicas de la herramienta eléctrica que están al descubierto lleven corriente y causen descargas eléctricas al operador.

Sostenga siempre firmemente la herramienta en la(s) mano(s) durante el arranque. La fuerza de torsión de reacción del motor, a medida que acelera hasta la máxima velocidad, puede hacer que la herramienta se tuerza.

Use abrazaderas para soportar la pieza de trabajo siempre que sea práctico. No sostenga nunca una pieza de trabajo pequeña en una mano y la herramienta en la otra mano mientras esté en uso. Si sujeta con una abrazadera una pieza de trabajo pequeña, podrá usar la(s) mano(s) para controlar la herramienta. El material redondo, como las varillas de unión, las tuberías o los tubos, tiene tendencia a rodar mientras está siendo cortado y puede hacer que la broca se atore o salte hacia usted.

Posicione el cable de alimentación lejos del accesorio que gira. Si usted pierde el control, es posible que el cable de alimentación resulte cortado o enganchado y puede que la mano o el brazo sean jalados hasta el accesorio que gira.

No deje nunca la herramienta eléctrica en ningún lugar hasta que el accesorio se haya detenido por completo. El accesorio que gira se puede enganchar en la superficie y jalar la herramienta eléctrica hasta hacer que usted pierda el control de la misma.

Después de cambiar las brocas o hacer cualquier ajuste, asegúrese de que la tuerca del portaherramienta, el mandril o cualquier otro dispositivo de ajuste estén firmemente apretados. Los dispositivos de ajuste pueden cambiar de posición inesperadamente, causando pérdida de control, y los componentes que roten estando flojos serán arrojados violentamente.

No tenga la herramienta eléctrica en marcha mientras la lleva junto a usted. Un contacto accidental con el accesorio que gira podría engancharle la ropa y jalar el accesorio hasta su cuerpo.

Limpie regularmente las aberturas de ventilación de la herramienta eléctrica. El ventilador del motor absorberá el polvo en el interior de la carcasa y la acumulación excesiva de metal en polvo podría causar peligros eléctricos.

No utilice la herramienta eléctrica cerca de materiales inflamables. Las chispas podrían incendiar estos materiales.

No utilice accesorios que requieran refrigerantes líquidos. El uso de agua u otros refrigerantes líquidos podría causar electrocución o descargas eléctricas.

Retroceso y advertencias relacionadas

El retroceso es una reacción repentina a una rueda, una banda de lijar, un cepillo o cualquier otro accesorio que esté rotando y que resulte pellizcado o enganchado. El pellizcamiento o el enganche causan una parada rápida del accesorio que rota, lo cual a su vez hace que la herramienta eléctrica descontrolada sea forzada en sentido opuesto al de rotación del accesorio.

Por ejemplo, si una rueda abrasiva es enganchada o pellizcada por la pieza de trabajo, el borde de la rueda que esté entrando en el punto de pellizcamiento puede penetrar en la superficie del material y hacer que la rueda se salga del corte o experimente retroceso. La rueda puede saltar hacia el operador o alejándose de éste, dependiendo del sentido del movimiento de dicha rueda en el punto de pellizcamiento. Las ruedas abrasivas también se pueden romper en estas condiciones.

El retroceso es el resultado de la utilización indebida de la herramienta eléctrica y/o de procedimientos o condiciones de operación incorrectos, y se puede evitar tomando las precauciones apropiadas tal y como se indica a continuación.

Mantenga un agarre firme sobre la herramienta eléctrica y posicione el cuerpo y el brazo de manera que le permitan resistir las fuerzas de retroceso. El operador puede controlar las reacciones de fuerza de torsión o las fuerzas de retroceso, si se toman las precauciones adecuadas.

Tenga cuidado especial cuando trabaje en esquinas, bordes afilados, etc. Evite hacer rebotar y enganchar el accesorio. Las esquinas, los bordes afilados o los rebotes tienen tendencia enganchar el accesorio que rota y causar pérdida de control o retroceso.

No instale una hoja de sierra dentada. Dichas hojas crean retroceso y pérdida de control frecuentes.

Haga avanzar siempre la broca hacia el interior del material en el mismo sentido en el que el borde de corte esté saliendo del material (que es el mismo sentido en que las virutas son arrojadas). Si se hace avanzar la herramienta en sentido incorrecto, el resultado será que el borde de corte de la broca se saldrá de la pieza de trabajo y jalará la herramienta en el sentido de este avance.

Advertencias de seguridad específicas para las operaciones de amolado y tronzado con ruedas abrasivas:

Utilice únicamente los tipos de rueda que estén recomendados para su herramienta eléctrica y sólo para las aplicaciones recomendadas. Por ejemplo: no amole con el lado de una rueda tronzadora. Las ruedas tronzadoras abrasivas están diseñadas para realizar amolado periférico; la aplicación de fuerzas laterales a estas ruedas puede hacer que se rompan en pedazos.

Para conos y tapones abrasivos roscados, utilice únicamente mandrines de rueda no dañados, con una pestaña de resalto sin relieve, que tengan el tamaño y la longitud correctos. Los mandrines apropiados reducirán la posibilidad de rotura.

No “atore” una rueda tronzadora ni aplique una presión excesiva. No intente hacer un corte de profundidad excesiva. Si la rueda se somete a un esfuerzo excesivo, se aumentan la carga y la susceptibilidad a que la rueda se tuerza o se enganche en el corte, así como la posibilidad de retroceso o rotura de la rueda.

No posicione la mano en línea con la rueda que rota ni detrás de ella. Cuando la rueda, en el punto de operación, se esté moviendo alejándose de la mano, el posible retroceso podrá impulsar la rueda que gira y la herramienta eléctrica directamente hacia usted.

Cuando la rueda se esté pellizcando o enganchando, o cuando se interrumpa un corte por cualquier motivo, apague la herramienta eléctrica y manténgala inmóvil hasta que la rueda se detenga por completo. No intente nunca retirar la rueda tronzadora del corte mientras la rueda esté en movimiento, ya que de lo contrario podría ocurrir retroceso. Investigue y tome medidas correctivas para eliminar la causa de que la rueda se pellizque o se enganche.

No reinicie la operación de corte en la pieza de trabajo. Deje que la rueda alcance la máxima velocidad y reingrese cuidadosamente en el corte. La rueda podría atorarse, desviarse o experimentar retroceso si la herramienta eléctrica es rearrancada en la pieza de trabajo.

Soporte los paneles o cualquier pieza de trabajo extragrande para minimizar el riesgo de que la rueda se pellizque y experimente retroceso. Las piezas de trabajo grandes tienden a combarse bajo su propio peso. Se deben colocar soportes debajo de la pieza de trabajo cerca de la línea de corte y cerca del borde de la pieza de trabajo a ambos lados de la rueda.

Tenga precaución extra cuando haga un “corte de bolsillo” en paredes existentes u otras áreas ciegas. La rueda que sobresale puede cortar tuberías de gas o agua, cables eléctricos u objetos que pueden causar retroceso.

Advertencias de seguridad adicionales

Un GFCI y los dispositivos de protección personal, como guantes de goma y calzado de goma de electricista, mejorarán más su seguridad personal.

No use herramientas mecánicas con capacidad nominal solamente para CA con una fuente de energía de CC. Aunque pueda parecer que la herramienta funciona correctamente, es probable que los componentes eléctricos de la herramienta con capacidad nominal para CA fallen y creen un peligro para el operador.

Mantenga los mangos secos, limpios y libres de aceite y grasa. Las manos resbalosas no pueden controlar de modo seguro la herramienta mecánica.

Desarrolle un programa de mantenimiento periódico de la herramienta. Cuando limpie una herramienta, tenga cuidado de no desmontar ninguna de sus partes, ya que los cables internos podrían reubicarse incorrectamente o pellizcarse, o los resortes de retorno de los protectores de seguridad podrían montarse incorrectamente. Ciertos agentes de limpieza, tales como gasolina, tetracloruro de carbono, amoníaco, etc., podrían dañar las piezas de plástico.

Asegúrese de que el interruptor esté en la posición de apagado antes de introducir el paquete de batería. Si se introduce el paquete de batería en herramientas mecánicas que tengan el interruptor en la posición de encendido, se invita a que se produzcan accidentes.

ADVERTENCIA

Cierto polvo generado por el lijado, aserrado, amolado y taladrado mecánicos, y por otras actividades de construcción, contiene agentes químicos que se sabe que causan cáncer, defectos de nacimiento u otros daños sobre la reproducción. Algunos ejemplos de estos agentes químicos son:

- Plomo de pinturas a base de plomo,
- Sílice cristalina de ladrillos y cemento y otros productos de mampostería, y
- Arsénico y cromo de madera tratada químicamente.

Su riesgo por causa de estas exposiciones varía, dependiendo de con cuánta frecuencia realice este tipo de trabajo. Para reducir su exposición a estos agentes químicos: trabaje en un área bien ventilada y trabaje con equipo de seguridad aprobado, como por ejemplo máscaras antipolvo que estén diseñadas especialmente para impedir mediante filtración el paso de partículas microscópicas.

Símbolos

IMPORTANTE: Es posible que algunos de los símbolos siguientes se usen en su herramienta. Por favor, estúdielos y aprenda su significado. La interpretación adecuada de estos símbolos le permitirá utilizar la herramienta mejor y con más seguridad.

Símbolo	Nombre	Designación/explicación
V	Volt	Tensión (potencial)
A	Ampere	Corriente
Hz	Hertz	Frecuencia (ciclos por segundo)
W	Watt	Potencia
kg	Kilogramo	Peso
min	Minuto	Tiempo
s	Segundo	Tiempo
\varnothing	Diámetro	Tamaño de las brocas taladradoras, muelas, etc
n_0	Velocidad sin carga	Velocidad rotacional sin carga
n	Velocidad nominal	Máxima velocidad obtenible
.../min	Revoluciones o alternación por minuto	Revoluciones, golpes, velocidad de superficie, órbitas, etc., por minuto
0	Posición "off" (apagado)	Velocidad cero, par motor cero...
1, 2, 3, ... I, II, III,	Graduaciones del selector	Graduaciones de velocidad, par motor o posición. Un número más alto significa mayor velocidad
	Selector infinitamente variable con apagado	La velocidad aumenta desde la graduación de 0
	Flecha	Acción en la dirección de la flecha
	Corriente alterna	Tipo o una característica de corriente
	Corriente continua	Tipo o una característica de corriente
	Corriente alterna o continua	Tipo o una característica de corriente
	Construcción de clase II	Designa las herramientas de construcción con aislamiento doble.
	Terminal de toma de tierra	Terminal de conexión a tierra
	Símbolo de advertencia	Alerta al usuario sobre mensajes de advertencia
	Sello RBRC de Li-ion	Designa el programa de reciclaje de baterías de Li-ion
	Sello RBRC de Ni-Cd	Designa el programa de reciclaje de baterías de Ni-Cd
	Símbolo de lectura del manual	Alerta al usuario para que lea el manual
	Símbolo de uso de protección de los ojos	Alerta al usuario para que use protección de los ojos

Símbolos (continuación)

IMPORTANTE: Es posible que algunos de los símbolos siguientes se usen en su herramienta. Por favor, estúdielos y aprenda su significado. La interpretación adecuada de estos símbolos le permitirá utilizar la herramienta mejor y con más seguridad.



Este símbolo indica que esta herramienta está catalogada por Underwriters Laboratories.



Este símbolo indica que este componente está reconocido por Underwriters Laboratories.



Este símbolo indica que Underwriters Laboratories ha catalogado esta herramienta indicando que cumple con las normas estadounidenses y canadienses.



Este símbolo indica que esta herramienta está catalogada por la Canadian Standards Association.



Este símbolo indica que la Canadian Standards Association ha catalogado esta herramienta indicando que cumple con las normas estadounidenses y canadienses.



Este símbolo indica que Intertek Testing Services ha catalogado esta herramienta indicando que cumple con las normas estadounidenses y canadienses.



Este símbolo indica que esta herramienta cumple con la norma mexicana oficial (NOM).

Descripción funcional y especificaciones

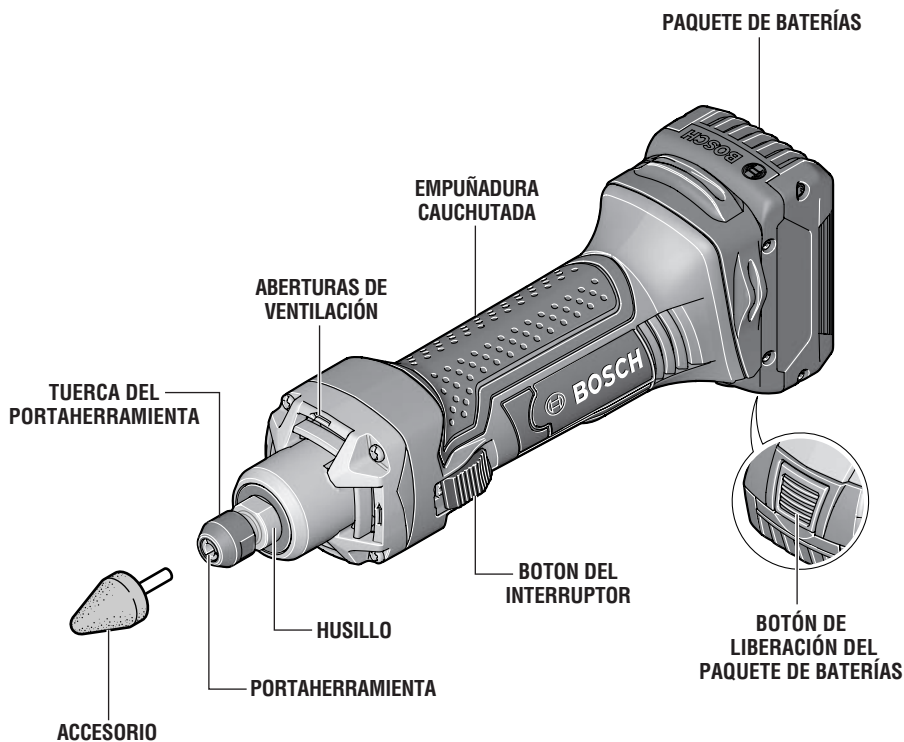


ADVERTENCIA

Desconecte el paquete de batería de la herramienta antes de realizar cualquier ensamblaje, ajuste o cambio de accesorios. Dichas medidas preventivas de seguridad reducen el riesgo de arrancar la herramienta accidentalmente.

Amoladoras de troqueles sin cordón

FIG. 1



Número de modelo	DGSH181
Tensión nominal	18 V ===
Velocidad nominal	n 22 000/min
Capacidad del portaherramienta	1/4" cuerpo

Máxima capacidad de accesorio	Conos y puntas solamente	2 pulgadas de diám.
-------------------------------	--------------------------	---------------------

Paquetes de batería/Cargadores de baterías

Sírvase consultar el Manual de la batería/cargador que se incluye con su herramienta.

NOTA: Para obtener las especificaciones de la herramienta, consulte la placa del fabricante colocada en la herramienta.

Ensamblaje

ADVERTENCIA Desconecte el paquete de batería de la herramienta antes de realizar cualquier ensamblaje, ajuste o cambio de accesorios. Dichas medidas preventivas de seguridad reducen el riesgo de arrancar la herramienta accidentalmente.

SELECCIÓN DE LOS ACCESORIOS DE AMOLAR

ADVERTENCIA Antes de utilizar una punta o cono de rueda de amolar, asegúrese de que su velocidad máxima de funcionamiento seguro no sea excedida por la velocidad indicada en la placa de especificaciones de la amoladora. No exceda el diámetro de la punta o cono de rueda de amolar recomendado de 2 pulgadas.

INSTALACION DE ACCESORIOS

ADVERTENCIA Asegúrese de que el diámetro del cuerpo sea del mismo tamaño que el diámetro interior de portaherramienta.

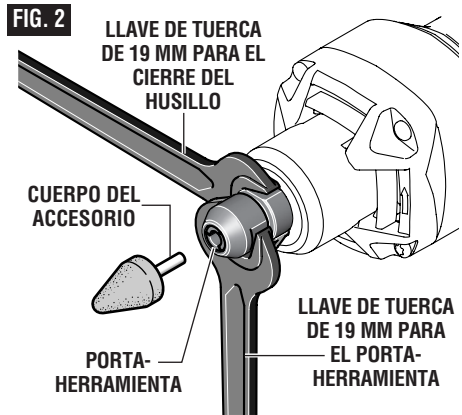
PRECAUTION Para evitar daños al portaherramienta, evite apretar excesivamente la tuerca del portaherramienta cuando no haya un accesorio insertado.

Utilice únicamente llaves de boca abierta de 19 mm que ajusten apropiadamente y no estén dañadas.

1. Coloque una llave de boca abierta (19 mm) en el husillo para evitar que éste gire (Fig. 2).
2. Sujete la llave de tuerca en su sitio y gire la tuerca del portaherramienta en sentido contrario al de las agujas del reloj con otra llave de boca abierta (19 mm).
3. Inserte tres cuartos del cuerpo del accesorio en el portaherramienta y apriete firmemente la tuerca del portaherramienta girándola en el sentido de las agujas del reloj.

REMOCION DE ACCESORIOS

Repita los pasos 1 y 2 anteriores y quite el accesorio.



Instrucciones de funcionamiento

PROTECCIÓN CONTRA LA DESCARGA PROFUNDA

La batería de iones de litio está protegida contra la descarga profunda por la “protección con células electrónicas” (Electronic Cell Protection, ECP). Cuando la batería esté vacía, la herramienta se apagará por medio de un circuito protector.

PRECAUTION No continúe oprimiendo el interruptor de encendido y apagado después de que la herramienta se haya apagado automáticamente. Si continúa oprimiendo dicho interruptor, la batería se puede dañar.

ADVERTENCIA **Agarre la herramienta con las dos manos cuando arranque la herramienta, ya que el par de fuerzas del motor puede hacer que la herramienta se tuerza.**

INTERRUPTOR CORREDIZO “ON/OFF” (DE ENCENDIDO Y APAGADO) CON CIERRE

La herramienta se enciende con el botón del interruptor ubicado en un lado de la caja del motor. El interruptor se puede fijar en la posición “ON” (encendido), lo cual resulta práctico al realizar operaciones prolongadas de amolado.

Para encender la herramienta (posición “ON”) sin dejarla fija, deslice el botón de interruptor hacia adelante ejerciendo presión ÚNICAMENTE sobre la parte de ATRAS del botón. Al soltar completamente el botón del interruptor, éste volverá a la posición “OFF”.

PARA FIJAR EL INTERRUPTOR EN LA POSICIÓN “ON”, deslice el botón del interruptor hacia adelante y OPRIMA la parte DELANTERA.

PARA DESBLOQUEAR EL INTERRUPTOR, simplemente oprima y suelte la parte de ATRAS del botón. El interruptor está accionado por resorte y saltará de vuelta automáticamente.

CONSEJOS PARA LA HERRAMIENTA

Sostenga siempre la herramienta alejada de la cara. Los accesorios pueden resultar dañados durante el manejo y pueden salir despedidos al ganar velocidad.

Arranque la herramienta antes de aplicarla a la pieza de trabajo. Levante la herramienta de la pieza de trabajo antes de soltar el interruptor. NO encienda y apague el interruptor mientras la herramienta está sometida a carga; esto acortará enormemente la vida del interruptor.

Practique primero en materiales de desecho para ver cómo funciona la acción de alta velocidad de la herramienta giratoria. Tenga presente que el trabajo es realizado por la velocidad de la herramienta y por el accesorio instalado en el portaherramienta. Usted no debe apoyarse en la herramienta ni empujarla durante el uso.

En vez de hacer esto, haga descender lentamente hasta la pieza de trabajo el accesorio mientras éste gira y deje que toque el punto en el cual usted quiere que comience el amolar. Concéntrese en guiar la herramienta sobre la pieza de trabajo ejerciendo muy poca presión con la mano. Deje que el accesorio realice el trabajo.

Normalmente, es mejor realizar una serie de pasadas con la herramienta en vez de intentar hacer todo el trabajo en una sola pasada. Por ejemplo, para realizar un corte, pase la herramienta hacia adelante y hacia atrás sobre la pieza de trabajo de manera muy parecida a como lo haría con una brocha pequeña. Corte un poco de material en cada pasada hasta que llegue a la profundidad deseada. Para la mayoría de los trabajos, es mejor utilizar un toque hábil y suave. Con éste, usted logra el mejor control, reduce las posibilidades de cometer errores y logrará que el accesorio realice el trabajo de la manera más eficaz posible.

INTRODUCCIÓN Y SUELTA DEL PAQUETE DE BATERÍAS

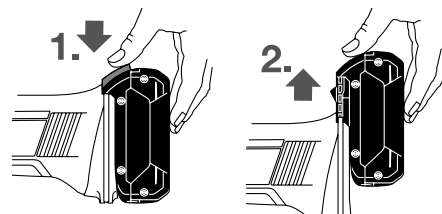
Deslice el paquete de baterías cargado al interior de la carcasa hasta que dicho paquete se acople en su sitio (Fig. 3).

La herramienta está equipada con un pestillo de fijación secundario para impedir que dicho paquete se caiga y salga completamente del mango, en caso de que se afloje debido a la vibración.

Para quitar el paquete de baterías, oprima el botón de liberación del paquete de baterías y deslice dicho paquete hacia delante (Fig. 3).

Oprima de nuevo el botón de liberación del paquete de baterías y deslice dicho paquete completamente hacia afuera hasta sacarlo de la carcasa de la herramienta (Fig. 3).

FIG. 3



Mantenimiento

⚠ ADVERTENCIA

Servicio
NO HAY PIEZAS EN EL INTERIOR QUE PUEDAN SER AJUSTADAS O REPARADAS POR EL USUARIO. El mantenimiento preventivo realizado por personal no autorizado puede dar lugar a la colocación incorrecta de cables y componentes internos que podría constituir un peligro serio. Recomendamos que todo el servicio de las herramientas sea realizado en un Centro de servicio de fábrica Bosch o en una Estación de servicio Bosch autorizada. **TECNICOS DE REPARACIONES:** Desconecten la herramienta y/o el cargador de la fuente de energía antes de realizar servicio de ajustes y reparaciones.

BATERÍAS

Esté alerta a los paquetes de baterías que estén aproximándose al final de su vida útil. Si observa una disminución del rendimiento de la herramienta o un tiempo de funcionamiento significativamente más corto entre cargas, entonces ha llegado el momento de cambiar el paquete de baterías. Si no se hace esto, el resultado puede ser que la herramienta funcione incorrectamente o que el cargador se dañe.

LUBRICACION DE LAS HERRAMIENTAS

Su herramienta Bosch ha sido lubricada adecuadamente y está lista para la utilización.

MOTORES “CORRIENTE DIRECTA”

El motor de la herramienta ha sido diseñado para muchas horas de servicio fiable. Para mantener un rendimiento óptimo del motor, recomendamos que éste sea examinado cada seis meses. Sólo se debe usar un motor de repuesto Bosch genuino diseñado especialmente para la herramienta.

Limpieza

⚠ ADVERTENCIA

Para evitar accidentes, desconecte siempre la herramienta y/o el cargador de la fuente de energía antes de la limpieza. La herramienta se puede limpiar más eficazmente con aire comprimido seco. **Use gafas de seguridad siempre que limpie herramientas con aire comprimido.**

Las aberturas de ventilación y las palancas de interruptor deben mantenerse limpias y libres de materias extrañas. No intente limpiar introduciendo objetos puntiagudos a través de las aberturas.

⚠ PRECAUCION

Ciertos agentes de limpieza y disolventes dañan las piezas de plástico. Algunos de estos son: gasolina, tetracloruro de carbono, disolventes de limpieza clorados, amoníaco y detergentes domésticos que contienen amoníaco.

Accesorios

* Lleve el bolsa

(* = equipo estándar)

(** = accesorios opcionales)

Notes / Remarques / Notas

LIMITED WARRANTY OF BOSCH PORTABLE AND BENCHTOP POWER TOOLS

Robert Bosch Tool Corporation ("Seller") warrants to the original purchaser only, that all BOSCH portable and benchtop power tools will be free from defects in material or workmanship for a period of one year from date of purchase. SELLER'S SOLE OBLIGATION AND YOUR EXCLUSIVE REMEDY under this Limited Warranty and, to the extent permitted by law, any warranty or condition implied by law, shall be the repair or replacement of parts, without charge, which are defective in material or workmanship and which have not been misused, carelessly handled, or misrepaired by persons other than Seller or Authorized Service Station. To make a claim under this Limited Warranty, you must return the complete portable or benchtop power tool product, transportation prepaid, to any BOSCH Factory Service Center or Authorized Service Station. For Authorized BOSCH Power Tool Service Stations, please refer to your phone directory.

THIS LIMITED WARRANTY DOES NOT APPLY TO ACCESSORY ITEMS SUCH AS CIRCULAR SAW BLADES, DRILL BITS, ROUTER BITS, JIGSAW BLADES, SANDING BELTS, GRINDING WHEELS AND OTHER RELATED ITEMS.

ANY IMPLIED WARRANTIES SHALL BE LIMITED IN DURATION TO ONE YEAR FROM DATE OF PURCHASE. SOME STATES IN THE U.S., SOME CANADIAN PROVINCES DO NOT ALLOW LIMITATIONS ON HOW LONG AN IMPLIED WARRANTY LASTS, SO THE ABOVE LIMITATION MAY NOT APPLY TO YOU.

IN NO EVENT SHALL SELLER BE LIABLE FOR ANY INCIDENTAL OR CONSEQUENTIAL DAMAGES (INCLUDING BUT NOT LIMITED TO LIABILITY FOR LOSS OF PROFITS) ARISING FROM THE SALE OR USE OF THIS PRODUCT. SOME STATES IN THE U.S. AND SOME CANADIAN PROVINCES DO NOT ALLOW THE EXCLUSION OR LIMITATION OF INCIDENTAL OR CONSEQUENTIAL DAMAGES, SO THE ABOVE LIMITATION OR EXCLUSION MAY NOT APPLY TO YOU.

THIS LIMITED WARRANTY GIVES YOU SPECIFIC LEGAL RIGHTS, AND YOU MAY ALSO HAVE OTHER RIGHTS WHICH VARY FROM STATE TO STATE IN THE U.S., PROVINCE TO PROVINCE IN CANADA AND FROM COUNTRY TO COUNTRY.

THIS LIMITED WARRANTY APPLIES ONLY TO PORTABLE AND BENCHTOP ELECTRIC TOOLS SOLD WITHIN THE UNITED STATES OF AMERICA, CANADA AND THE COMMONWEALTH OF PUERTO RICO. FOR WARRANTY COVERAGE WITHIN OTHER COUNTRIES, CONTACT YOUR LOCAL BOSCH DEALER OR IMPORTER.

GARANTIE LIMITÉE DES OUTILS ÉLECTRIQUES PORTATIFS ET D'ÉTABLI BOSCH

Robert Bosch Tool Corporation (le « vendeur ») garantit à l'acheteur initial seulement que tous les outils électriques portatifs et d'établi BOSCH seront exempts de vices de matériaux ou d'exécution pendant une période d'un an depuis la date d'achat. LA SEULE OBLIGATION DU VENDEUR ET LE SEUL RECOURS DE L'ACHETEUR sous la présente garantie limitée, et en autant que la loi le permette sous toute garantie ou condition implicite qui en découlerait, sera l'obligation de remplacer ou réparer gratuitement les pièces défectueuses matériellement ou comme fabrication, pourvu que lesdites défectuosités ne soient pas attribuables à un usage abusif ou à quelque réparation bricolée par quelqu'un d'autre que le vendeur ou le personnel d'une station-service agréée. Pour présenter une réclamation en vertu de cette garantie limitée, vous devez renvoyer l'outil électrique portatif ou d'établi complet, port payé, à tout centre de service agréé ou centre de service usine. Veuillez consulter votre annuaire téléphonique pour les adresses.

LA PRÉSENTE GARANTIE NE S'APPLIQUE PAS AUX ACCESSOIRES TELS QUE LAMES DE SCIES CIRCULAIRES, MÈCHES DE PERCEUSES, FERS DE TOUPIES, LAMES DE SCIES SAUTEUSES, COURROIES DE PONÇAGE, MEULES ET AUTRES ARTICLES DU GENRE.

TOUTE GARANTIE IMPLICITE SERA LIMITÉE COMME DURÉE À UN AN À COMPTER DE LA DATE D'ACHAT. CERTAINS ÉTATS AMÉRICAINS, CERTAINES PROVINCES CANADIENNES N'ADMETTANT PAS LE PRINCIPE DE LA LIMITATION DE LA DURÉE DES GARANTIES IMPLICITES, IL EST POSSIBLE QUE LES LIMITATIONS CI-DESSUS NE S'APPLIQUENT PAS À VOTRE CAS.

EN AUCUN CAS LE VENDEUR NE SAURAIT ÊTRE TENU POUR RESPONSABLE DES INCIDENTS OU DOMMAGES INDIRECTS (INCLUANT, MAIS NE SE LIMITANT PAS AUX PERTES DE PROFITS) CONSÉCUTIFS À LA VENTE OU L'USAGE DE CE PRODUIT. CERTAINS ÉTATS AMÉRICAINS ET CERTAINES PROVINCES CANADIENNES N'ADMETTANT PAS LE PRINCIPE DE LA LIMITATION NI L'EXCLUSION DES DOMMAGES INDIRECTS ET CONSÉQUENTIELS, IL EST POSSIBLE QUE LES LIMITATIONS OU EXCLUSIONS CI-DESSUS NE S'APPLIQUENT PAS À VOTRE CAS.

LA PRÉSENTE GARANTIE VOUS ACCORDE DES DROITS BIEN DÉTERMINÉS, Y COMPRIS POSSIBLEMENT CERTAINS DROITS VARIABLES DANS LES DIFFÉRENTS ÉTATS AMÉRICAINS, PROVINCES CANADIENNES ET DE PAYS À PAYS.

CETTE GARANTIE LIMITÉE NE S'APPLIQUE QU'AUX OUTILS ÉLECTRIQUES PORTATIFS ET D'ÉTABLI VENDUS AUX ÉTATS-UNIS D'AMÉRIQUE, AU CANADA ET AU COMMONWEALTH DE PORTO RICO. POUR COUVERTURE DE GARANTIE DANS LES AUTRES PAYS, CONTACTEZ VOTRE IMPORTATEUR OU REVENDEUR BOSCH LOCAL.

GARANTIA LIMITADA PARA HERRAMIENTAS MECANICAS PORTATILES Y PARA TABLERO DE BANCO BOSCH

Robert Bosch Tool Corporation ("el Vendedor") garantiza, únicamente al comprador original, que todas las herramientas mecánicas portátiles y para tablero de banco BOSCH estarán libres de defectos de material o de fabricación durante un período de un año a partir de la fecha de compra. LA ÚNICA OBLIGACION DEL VENDEADOR Y EL RECURSO EXCLUSIVO QUE USTED TIENE bajo esta Garantía Limitada y, hasta donde la ley lo permita, bajo cualquier garantía o condición implícita por ley, consistirá en la reparación o sustitución sin costo de las piezas que presenten defectos de material o de fabricación y que no hayan sido utilizadas incorrectamente, manejadas descuidadamente o reparadas incorrectamente por personas que no sean el Vendedor o una Estación de servicio autorizada. Para efectuar una reclamación bajo esta Garantía Limitada, usted debe devolver el producto, que consiste en la herramienta mecánica portátil o para tablero de banco completa, con el transporte pagado, a cualquier Centro de servicio de fábrica o Estación de servicio autorizada. Para Estaciones de servicio autorizadas de herramientas mecánicas BOSCH, por favor, consulte el directorio telefónico.

ESTA GARANTIA LIMITADA NO SE APLICA A ARTICULOS ACCESORIOS TALES COMO HOJAS PARA SIERRAS CIRCULARES, BROCAS PARA TALADROS, BROCAS PARA FRESADORAS, HOJAS PARA SIERRAS DE VAIVEN, CORREAS PARA LIJAR, RUEDAS DE AMOLAR Y OTROS ARTICULOS RELACIONADOS.

TODAS LAS GARANTIAS IMPLICITAS TENDRAN UNA DURACION LIMITADA A UN AÑO A PARTIR DE LA FECHA DE COMPRA. ALGUNOS ESTADOS DE LOS EE.UU. Y ALGUNAS PROVINCIAS CANADIENSES NO PERMITEN LIMITACIONES EN CUANTO A LA DURACION DE UNA GARANTIA IMPLICITA, POR LO QUE ES POSIBLE QUE LA LIMITACION ANTERIOR NO SEA APLICABLE EN EL CASO DE USTED.

EL VENDEADOR NO SERA RESPONSABLE EN NINGUN CASO DE NINGUN DAÑO INCIDENTAL O EMERGENTE (INCLUYENDO PERO NO LIMITADO A RESPONSABILIDAD POR PERDIDA DE BENEFICIOS) QUE SE PRODUZCA COMO CONSECUENCIA DE LA VENTA O UTILIZACION DE ESTE PRODUCTO. ALGUNOS ESTADOS DE LOS EE.UU. Y ALGUNAS PROVINCIAS CANADIENSES NO PERMITEN LA EXCLUSION O LIMITACION DE LOS DAÑOS INCIDENTALES O EMERGENTES, POR LO QUE ES POSIBLE QUE LA LIMITACION O EXCLUSION ANTERIOR NO SEA APLICABLE EN EL CASO DE USTED.

ESTA GARANTIA LIMITADA LE CONFIERE A USTED DERECHOS LEGALES ESPECIFICOS Y ES POSIBLE QUE USTED TAMBIEN TENGA OTROS DERECHOS QUE VARIAN DE ESTADO A ESTADO EN LOS EE.UU., DE PROVINCIA A PROVINCIA EN CANADA Y DE UN PAIS A OTRO.

ESTA GARANTIA LIMITADA SE APLICA SOLAMENTE A HERRAMIENTAS ELECTRICAS PORTATILES Y PARA TABLERO DE BANCO VENDIDAS EN LOS ESTADOS UNIDOS DE AMERICA, CANADA Y EL ESTADO LIBRE ASOCIADO DE PUERTO RICO. PARA COBERTURA DE GARANTIA EN OTROS PAISES, PONGASE EN CONTACTO CON SU DISTRIBUIDOR O IMPORTADOR LOCAL DE BOSCH.

© Robert Bosch Tool Corporation 1800 W. Central Road Mt. Prospect, IL 60056-2230

Exportado por: Robert Bosch Tool Corporation Mt. Prospect, IL 60056-2230, E.U.A.

Importado a México por: Robert Bosch, S.A. de C.V., Calle Robert Bosch No. 405, Zona Industrial, Toluca, Edo. de México, C.P. 50070, Tel. (722) 2792300

2610034444 04/14



2 6 1 0 0 3 4 4 4 4